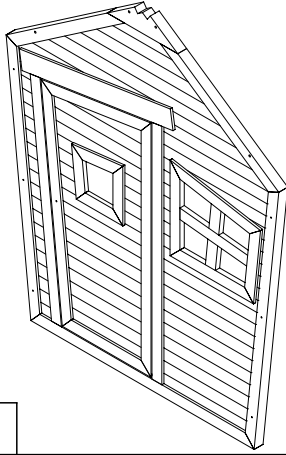


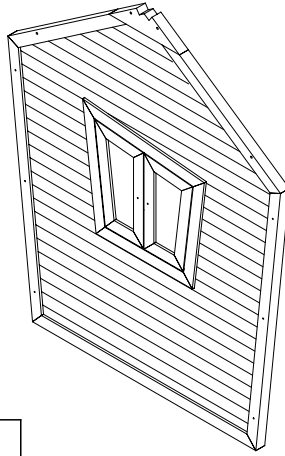


Alice

A030.067.00



1



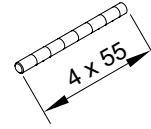
3

4



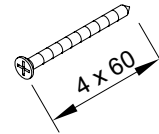
14x

t1



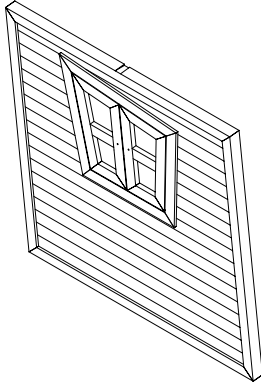
7x

s2



16x

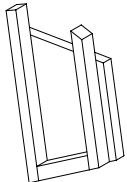
A030.068.00



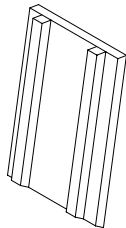
2

2x

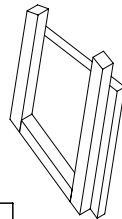
A030.069.00



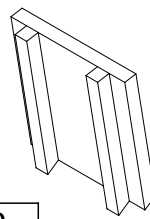
5



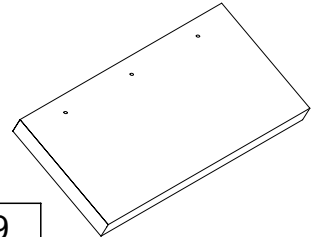
6



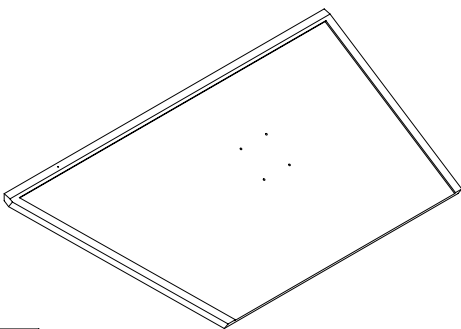
7



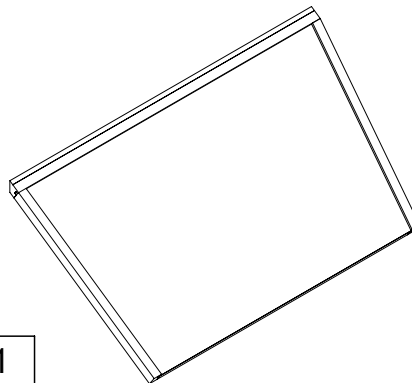
8



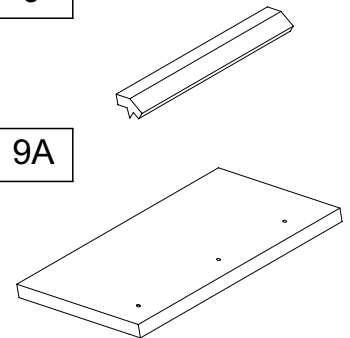
9



10

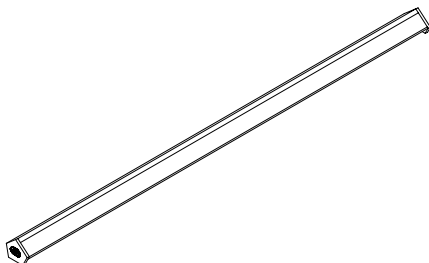


11

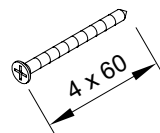


9A

9B

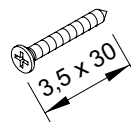


12



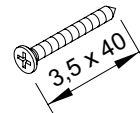
s2

8x



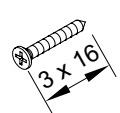
s3

16x




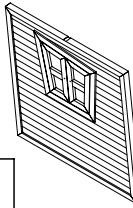
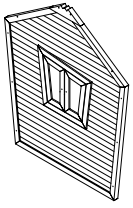

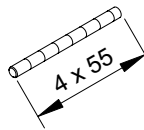
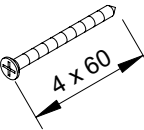
s4

15x

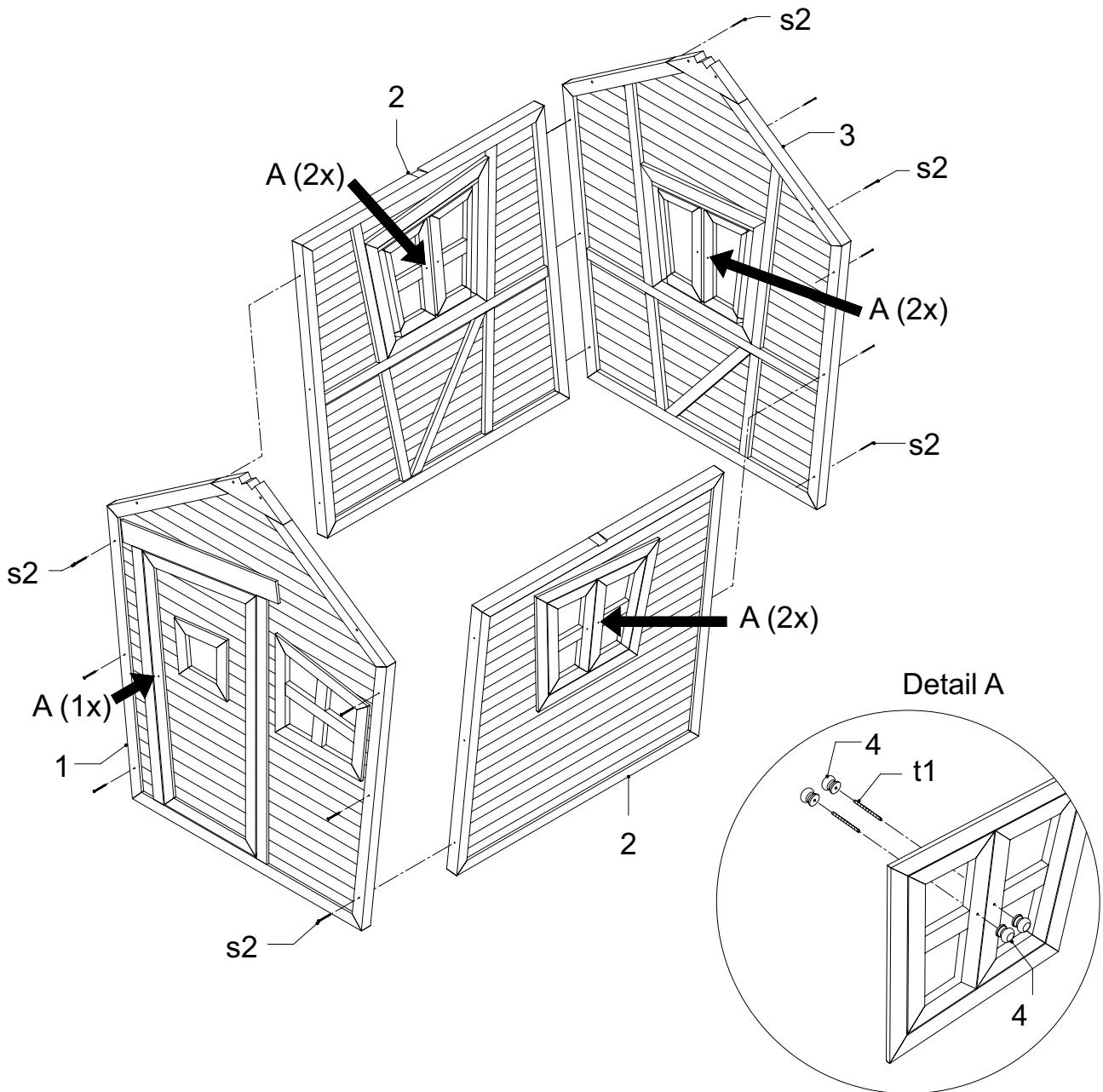


s6

6x

 1	 2 2x	 3	 4 14x	 t1 7x	 s2 12x
---	--	---	---	---	--

A030.067.00 + A030.068.00

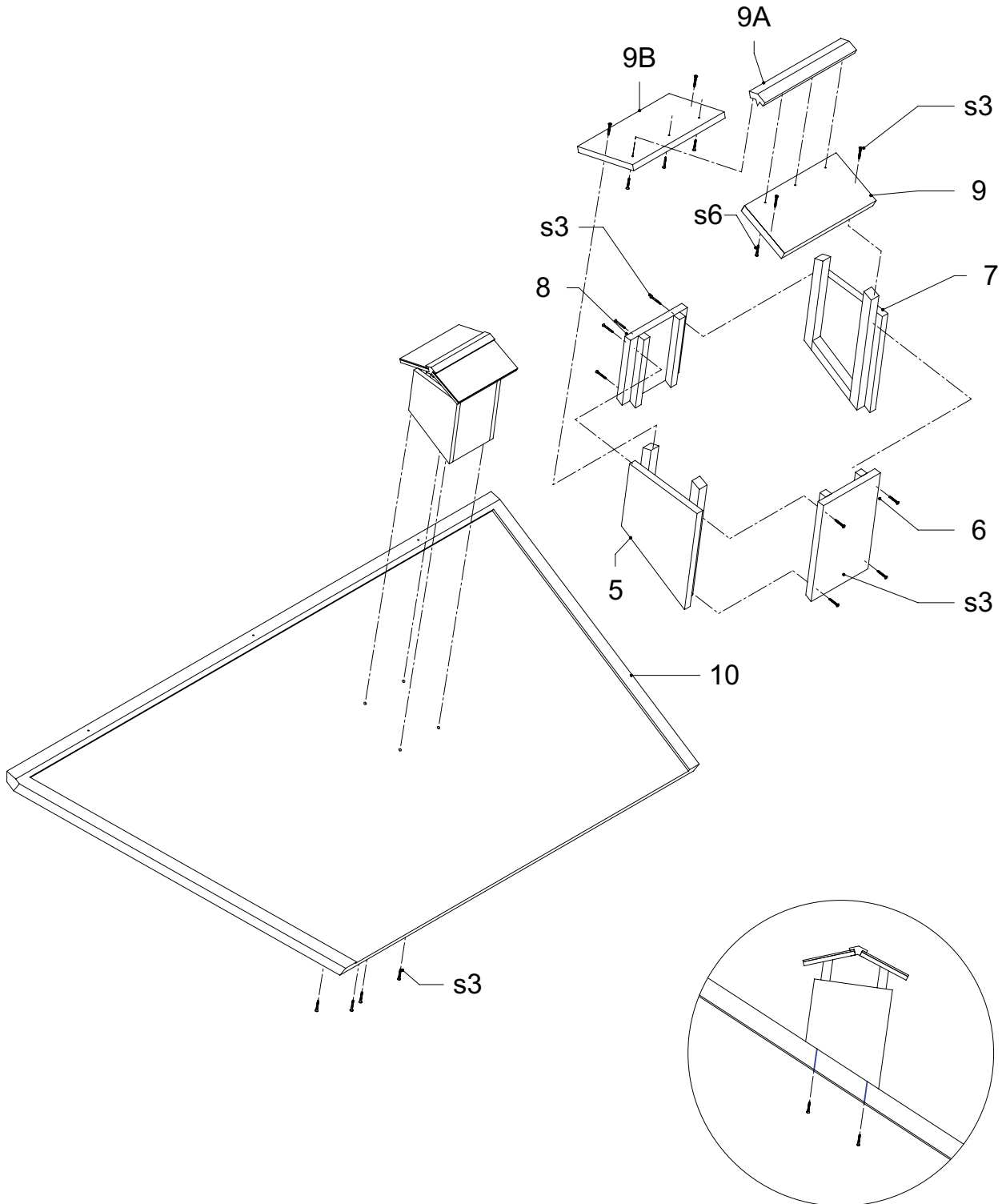


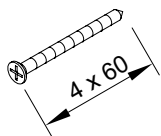


Alice

5	6	7	8	9	9A	9B	10	s3 16x	s6 6x

A030.069.00

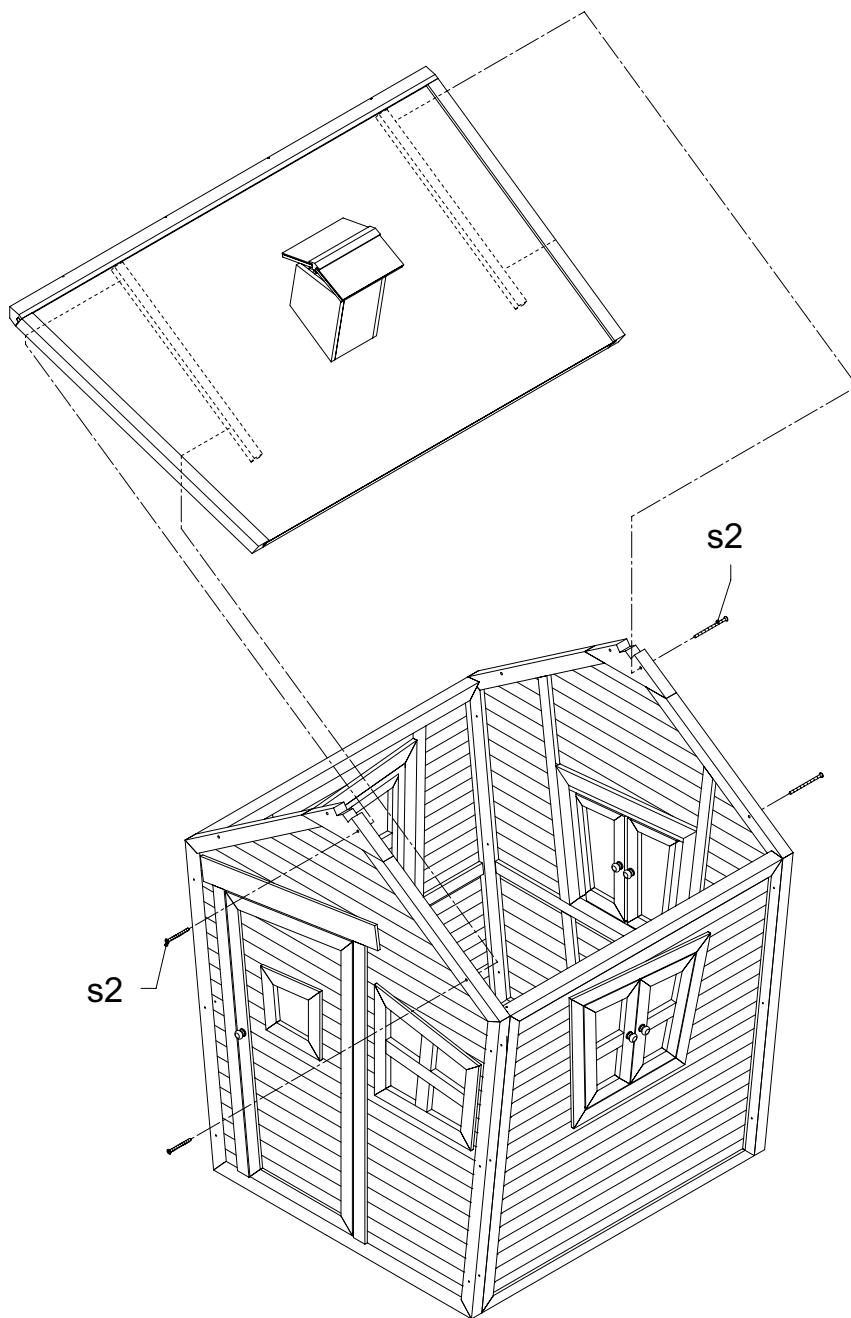


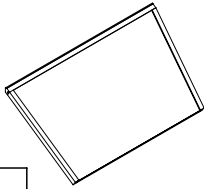


s2

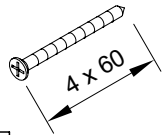
4x

A030.069.00





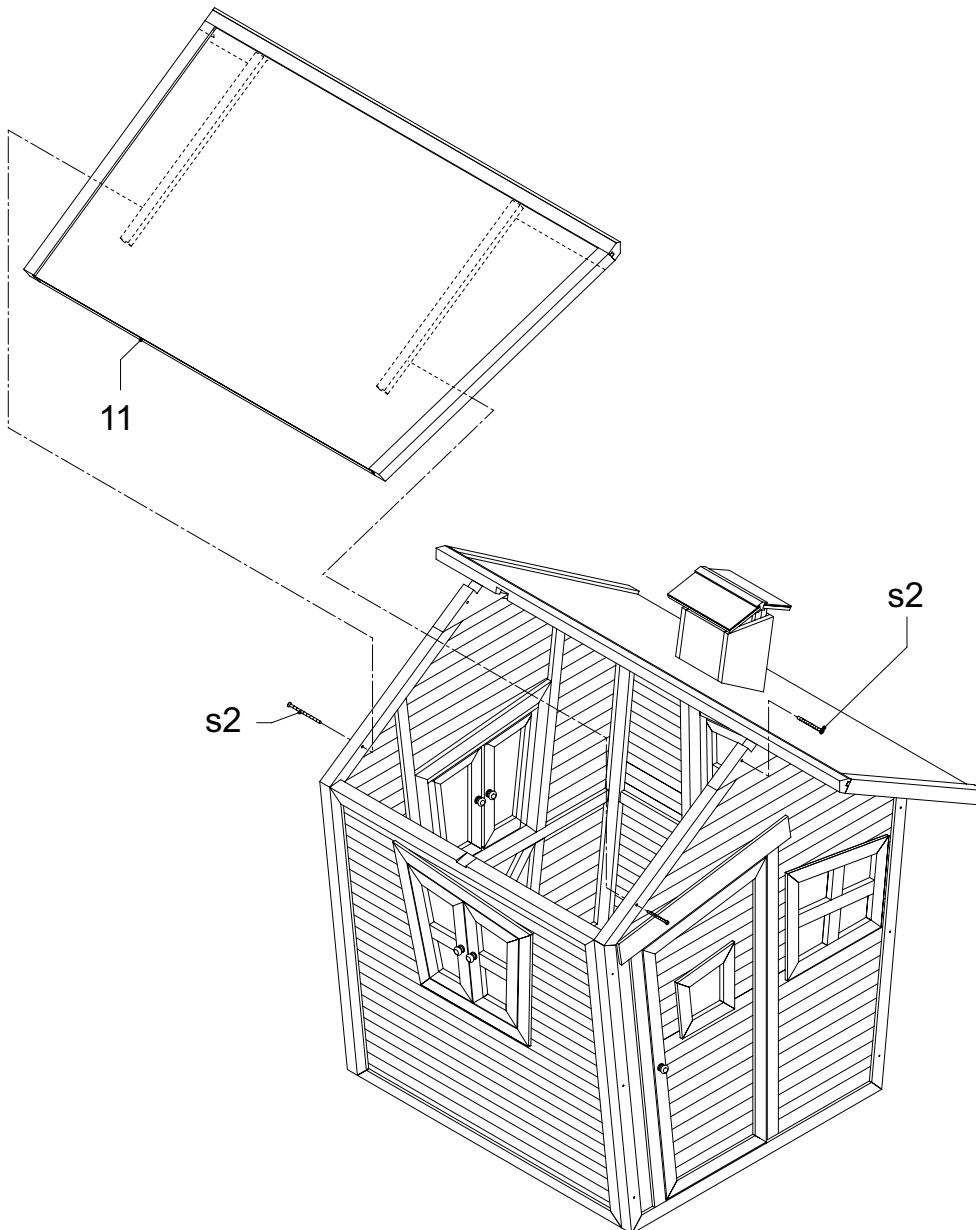
11



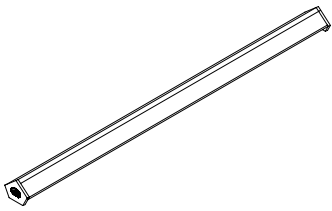
s2

4x

A030.069.00



12

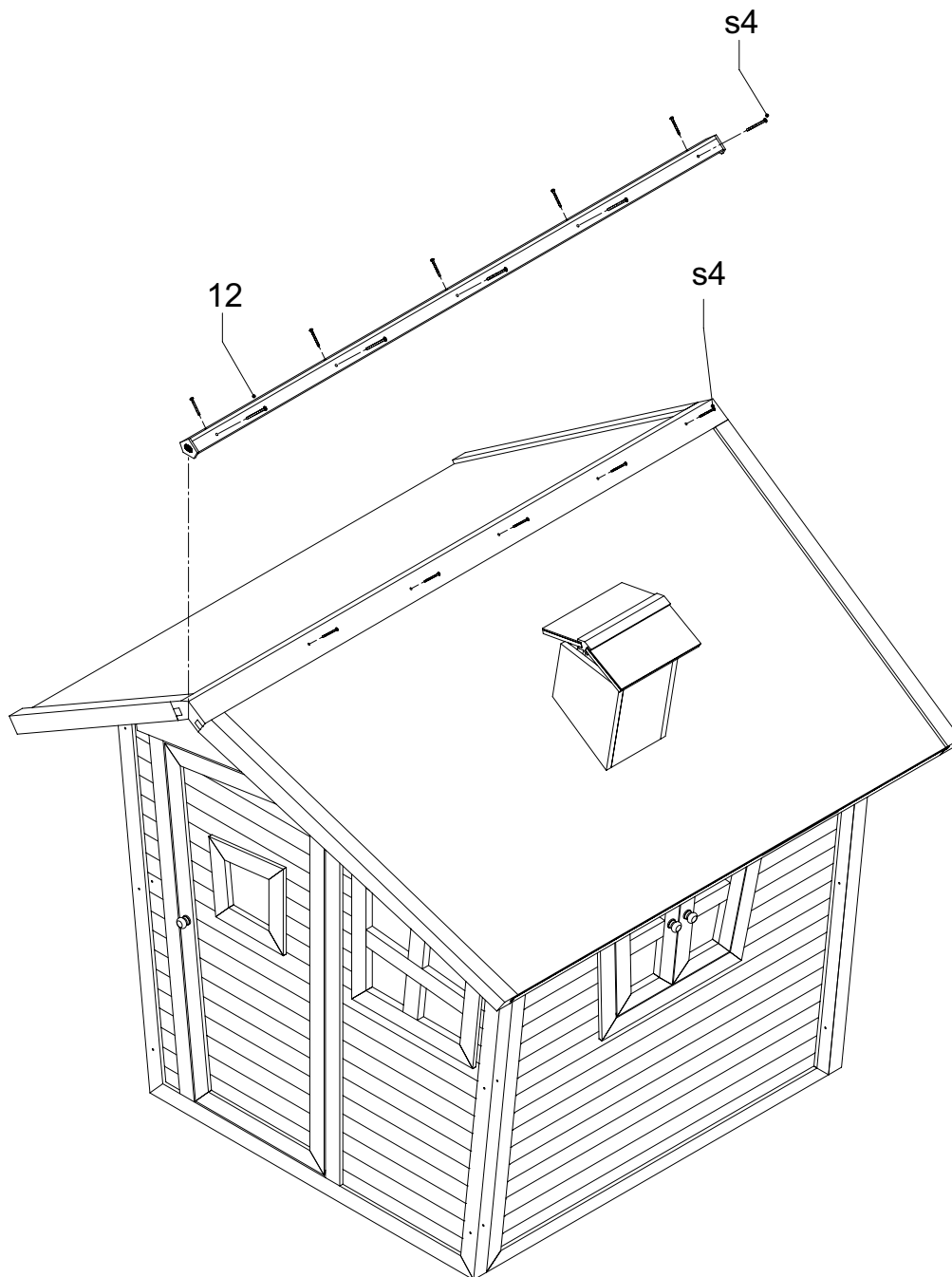


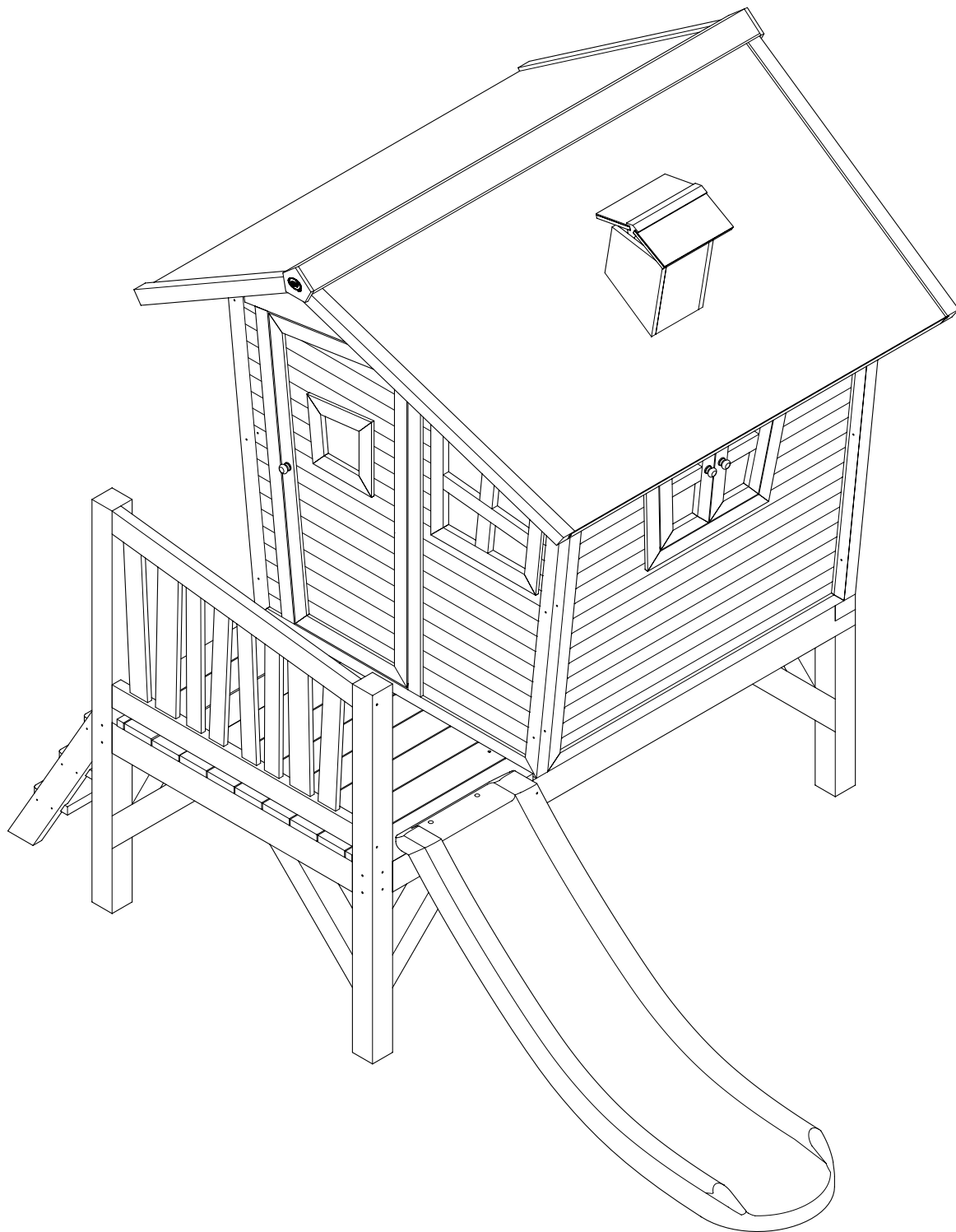
s4



15x

A030.069.00

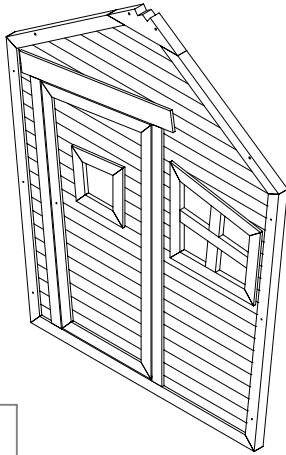




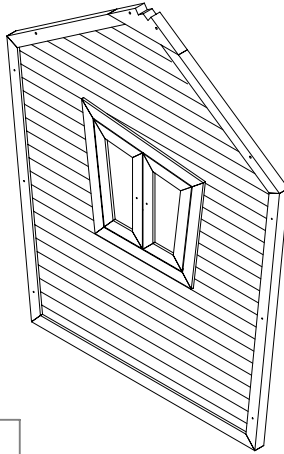


Robin

A030.067.00



1



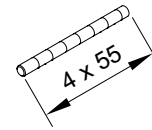
3

4



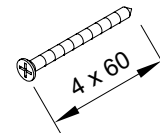
14x

t1



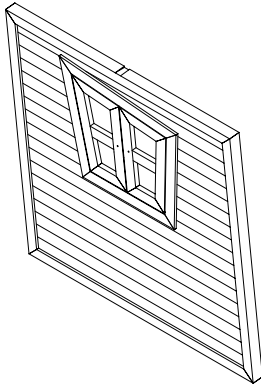
7x

s2



16x

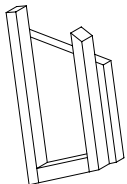
A030.068.00



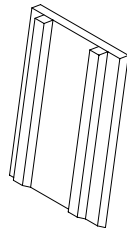
2

2x

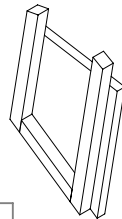
A030.069.00



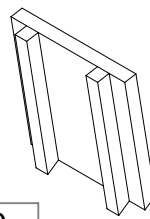
6



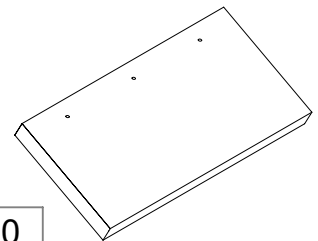
7



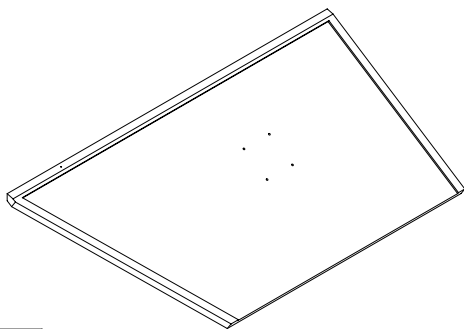
8



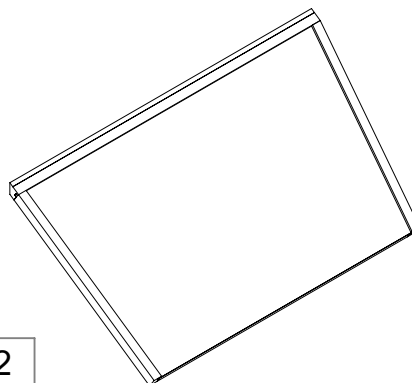
9



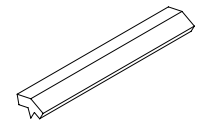
10



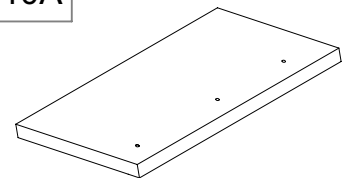
11



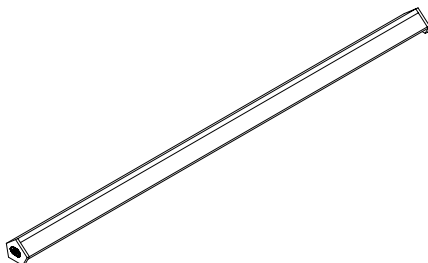
12



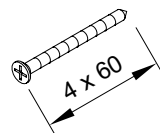
10A



10B

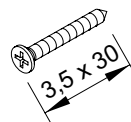


13



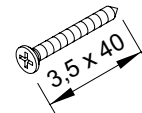
s2

8x



s3

16x



s4

15x



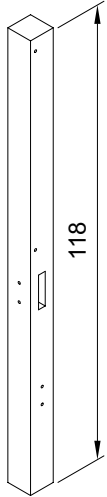
s6

6x

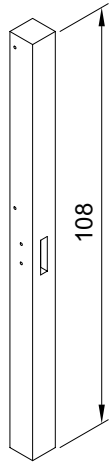


Robin

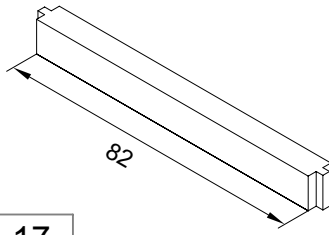
A030.076.00



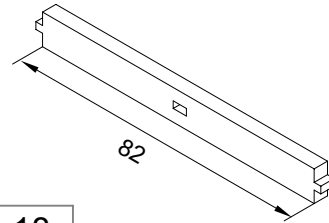
15



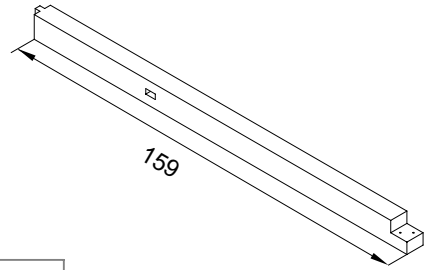
16



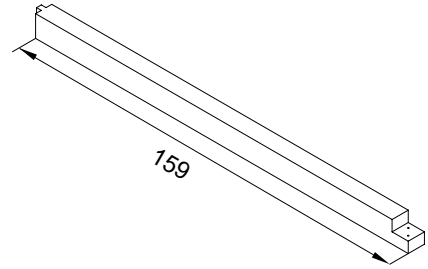
17



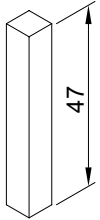
18



19

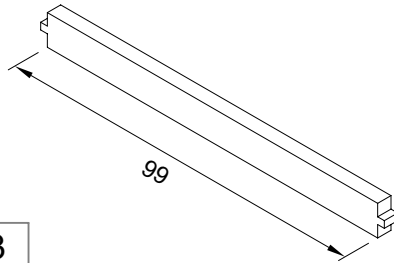


20

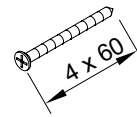


21

2x

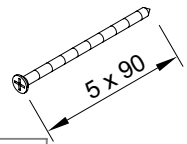


23



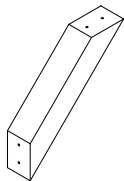
s2

18x



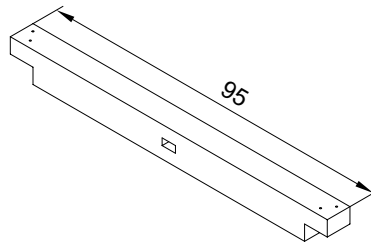
s5

40x

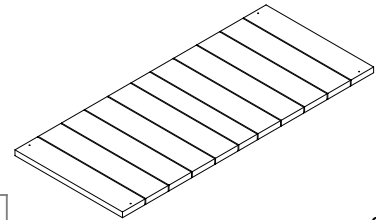


22

8x

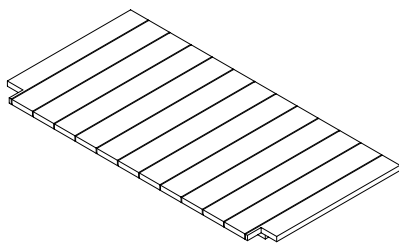


24

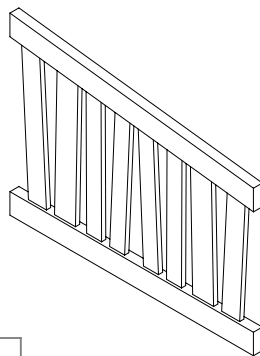


5

2x

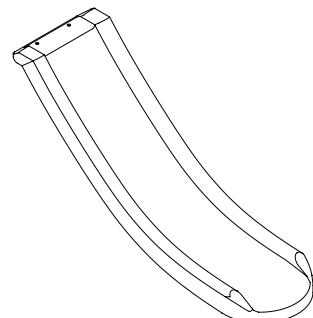


25

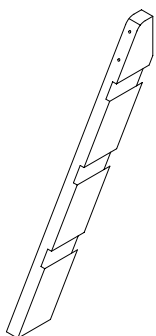


26

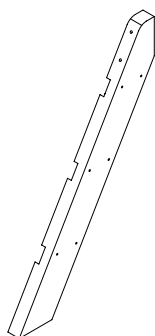
A030.031.00



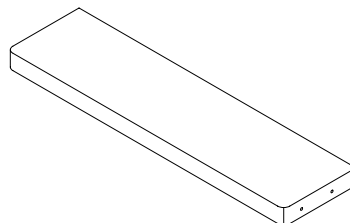
27



28



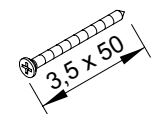
29



30

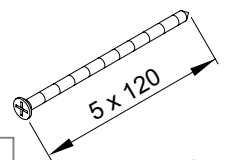
s1

24x



s7

3x

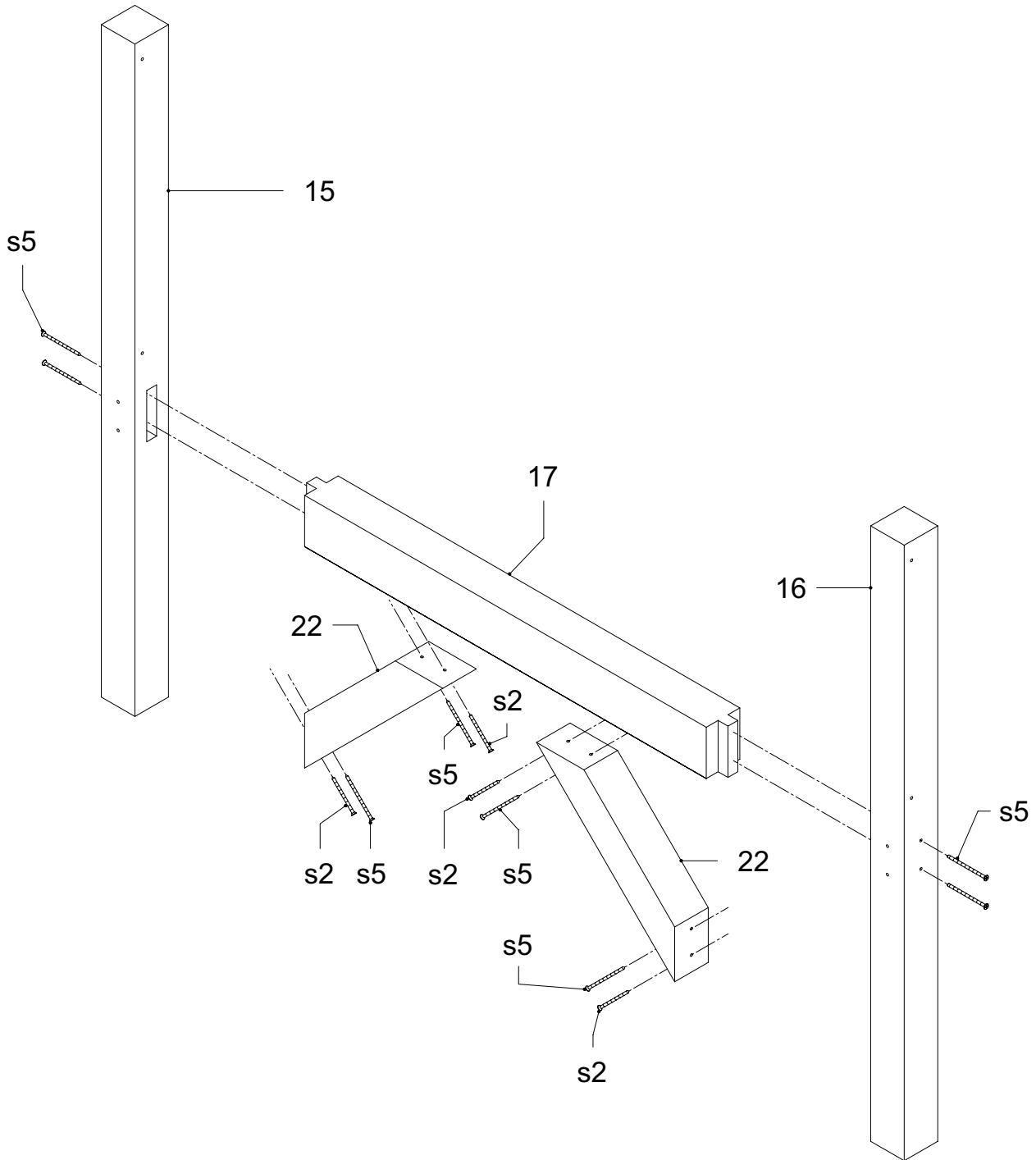


4x



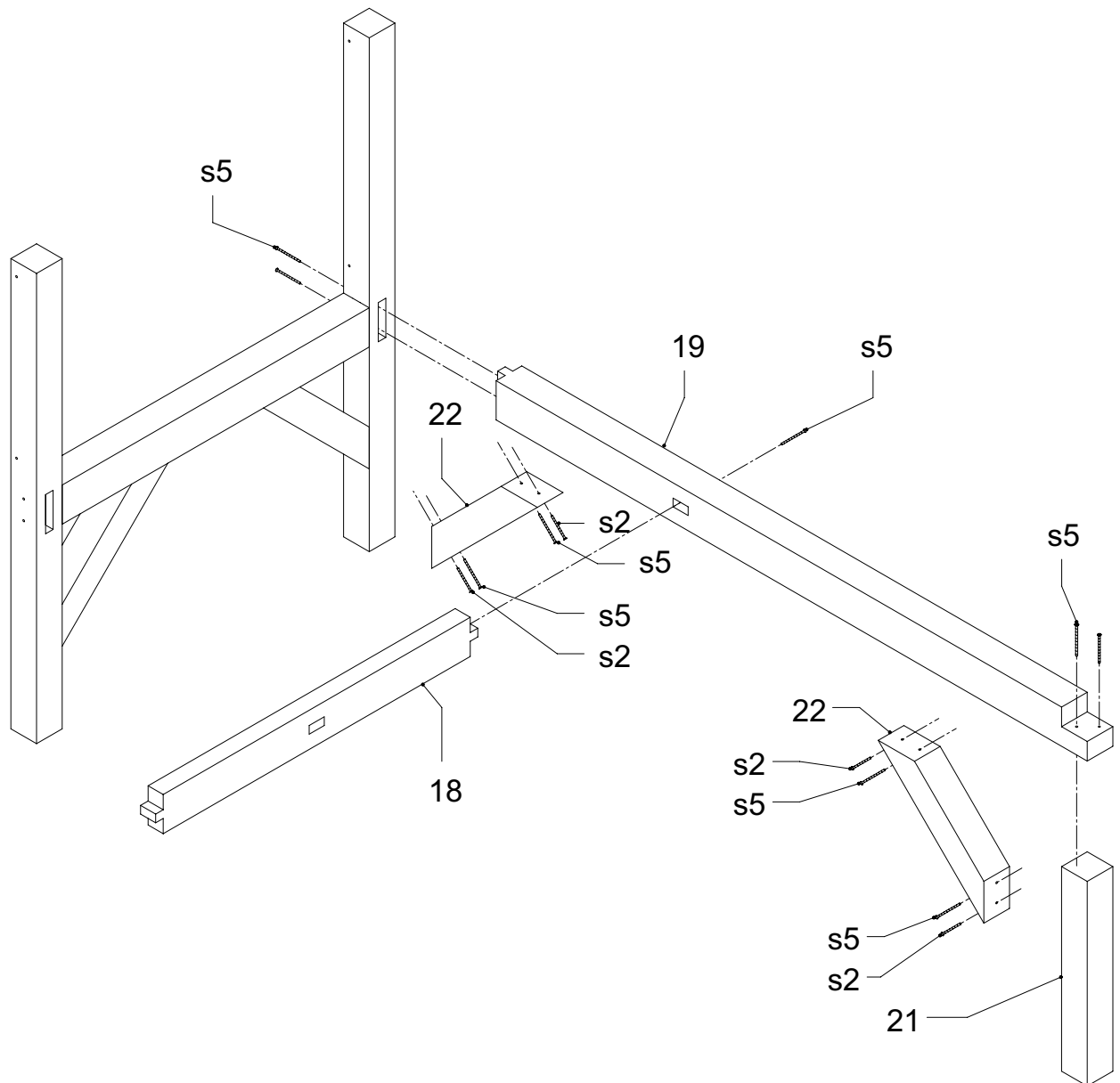
15		16		17		22		2x	s5		8x	s2		4x
----	--	----	--	----	--	----	--	----	----	--	----	----	--	----

A030.076.00



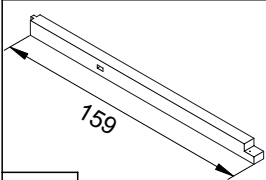
 18	 19	 21	 1x 22	 2x s5	 9x s2	 4x s2
--------	--------	--------	-----------	-----------	-----------	-----------

A030.076.00

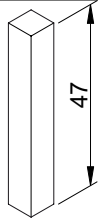




Robin



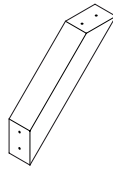
20



21

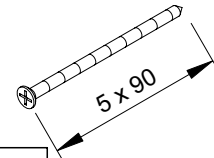
1x

22



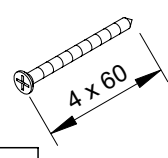
2x

s5



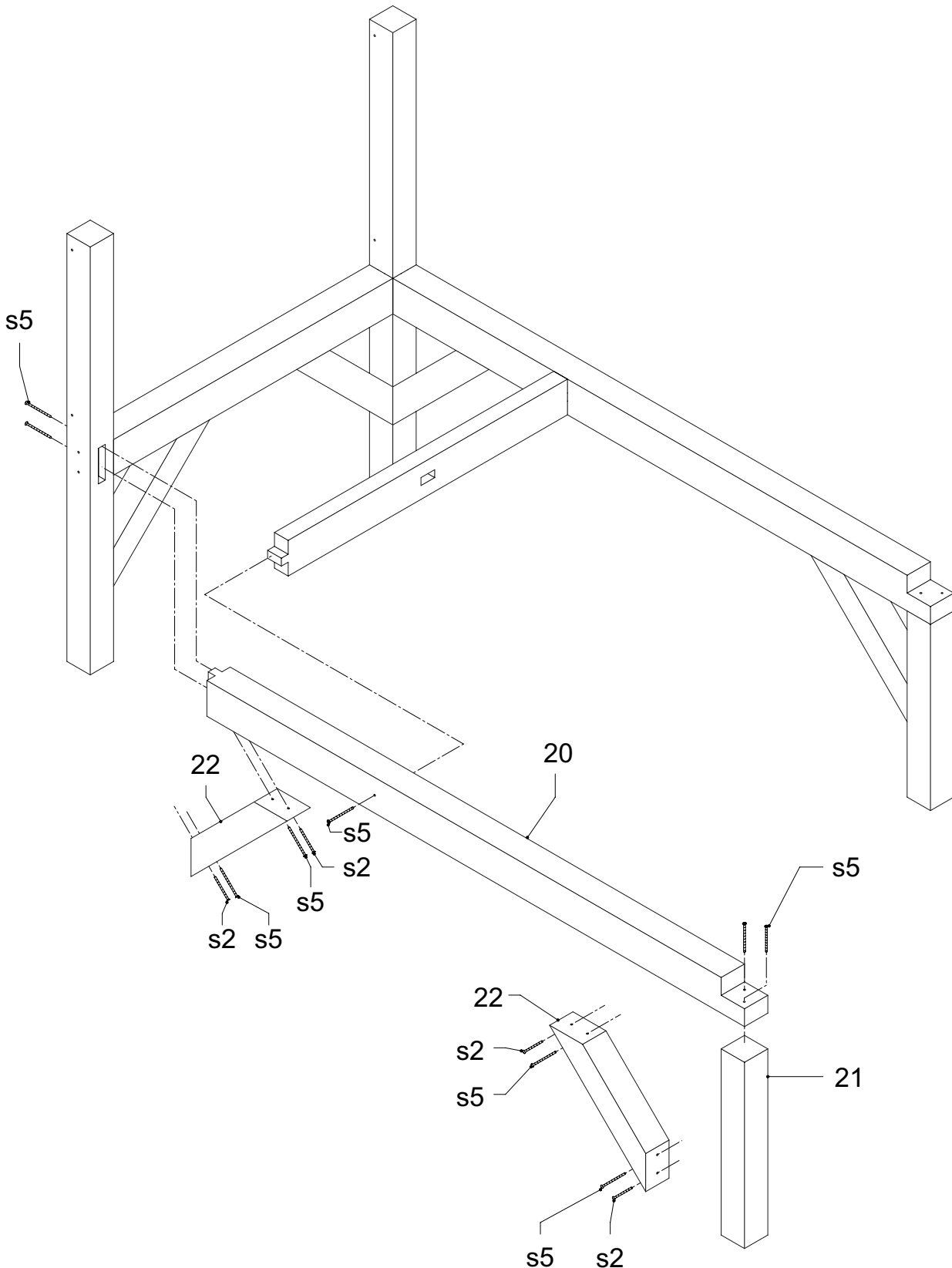
9x

s2



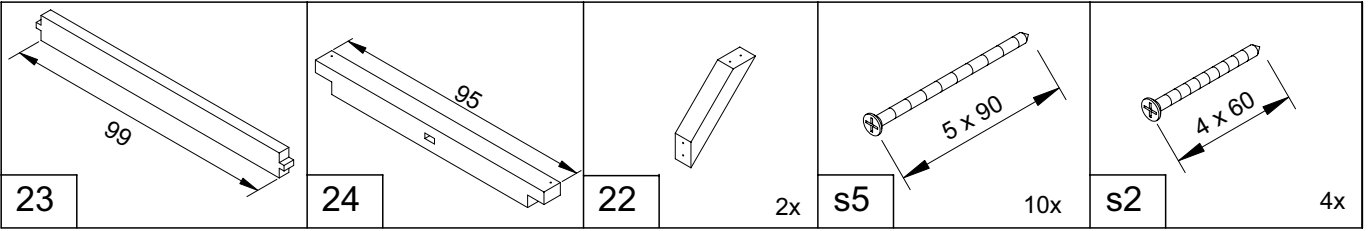
4x

A030.076.00

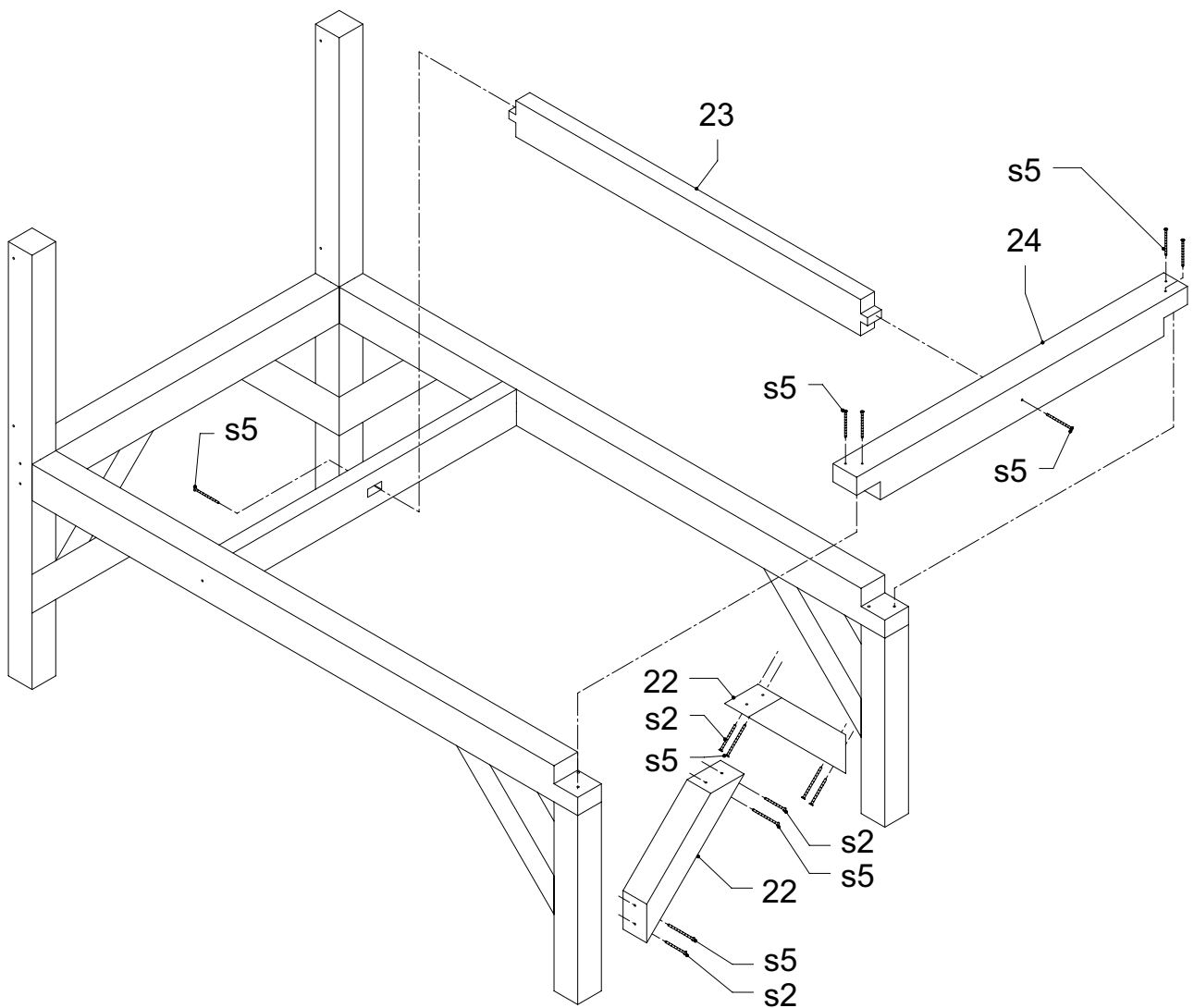




Robin



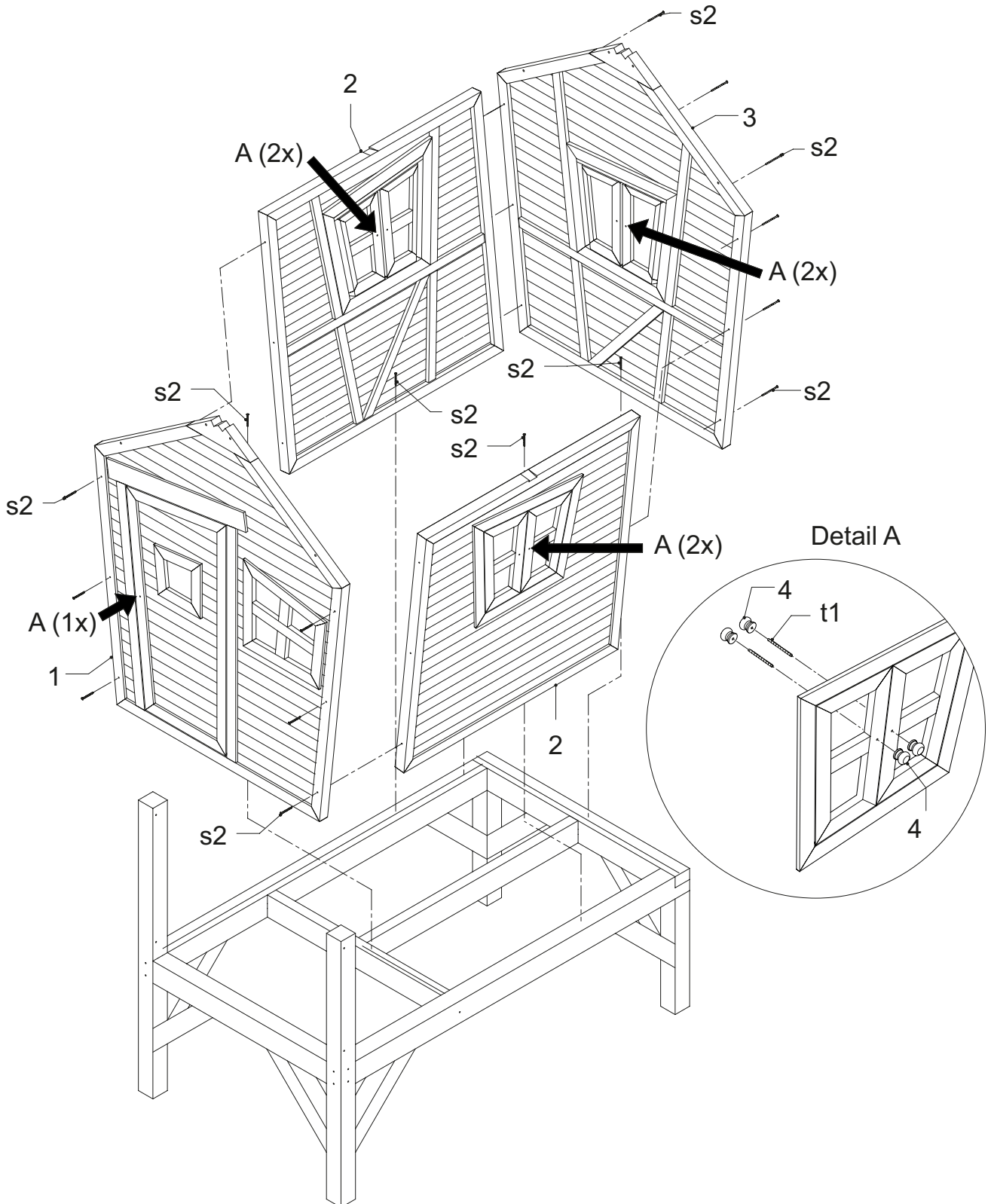
A030.076.00

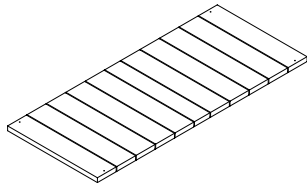




1		2	2x	3	14x	4	t1	7x	s2	16x
---	--	---	----	---	-----	---	----	----	----	-----

A030.067.00 + A030.068.00

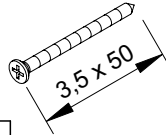




5

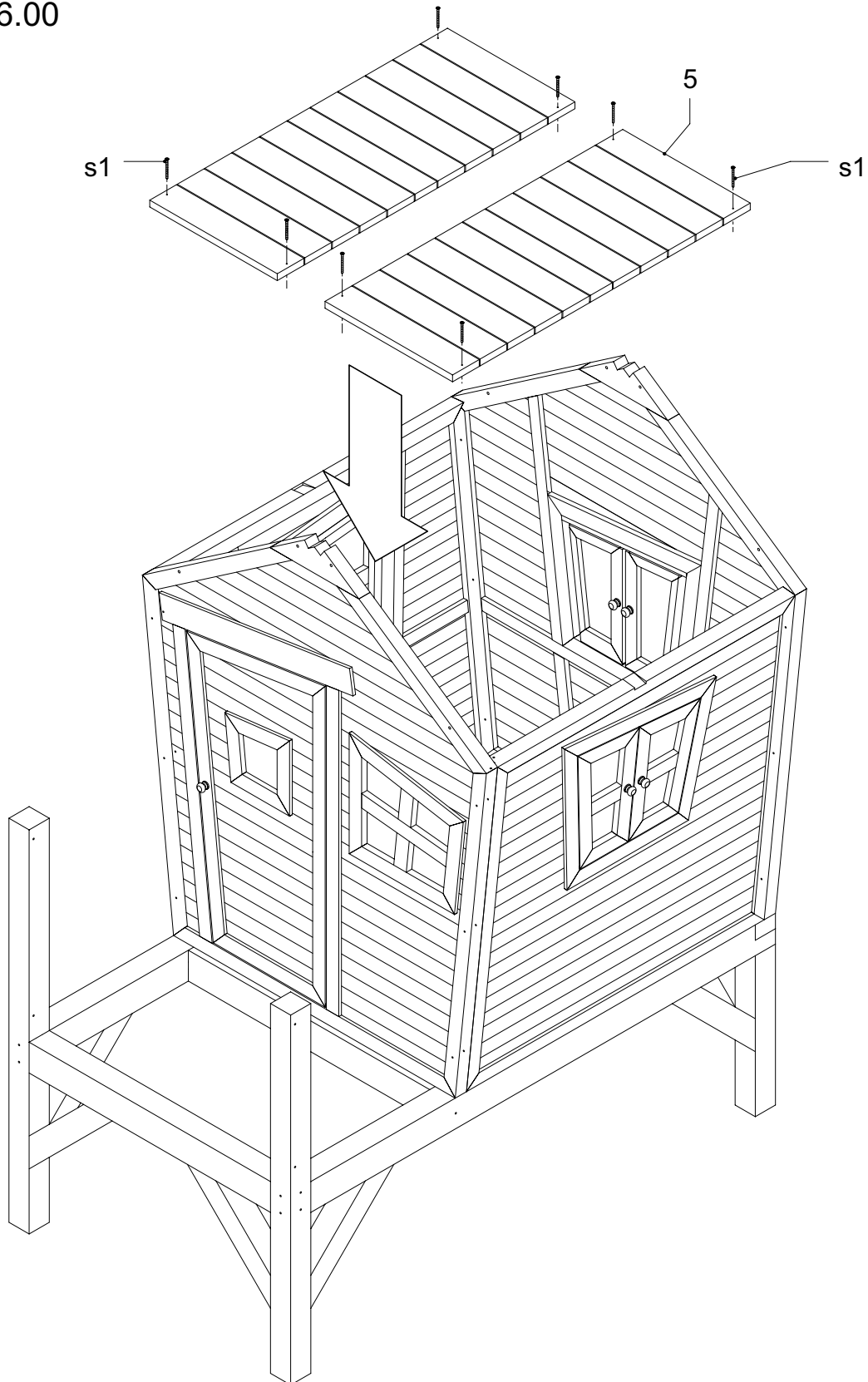
2x

s1



8x

A030.076.00

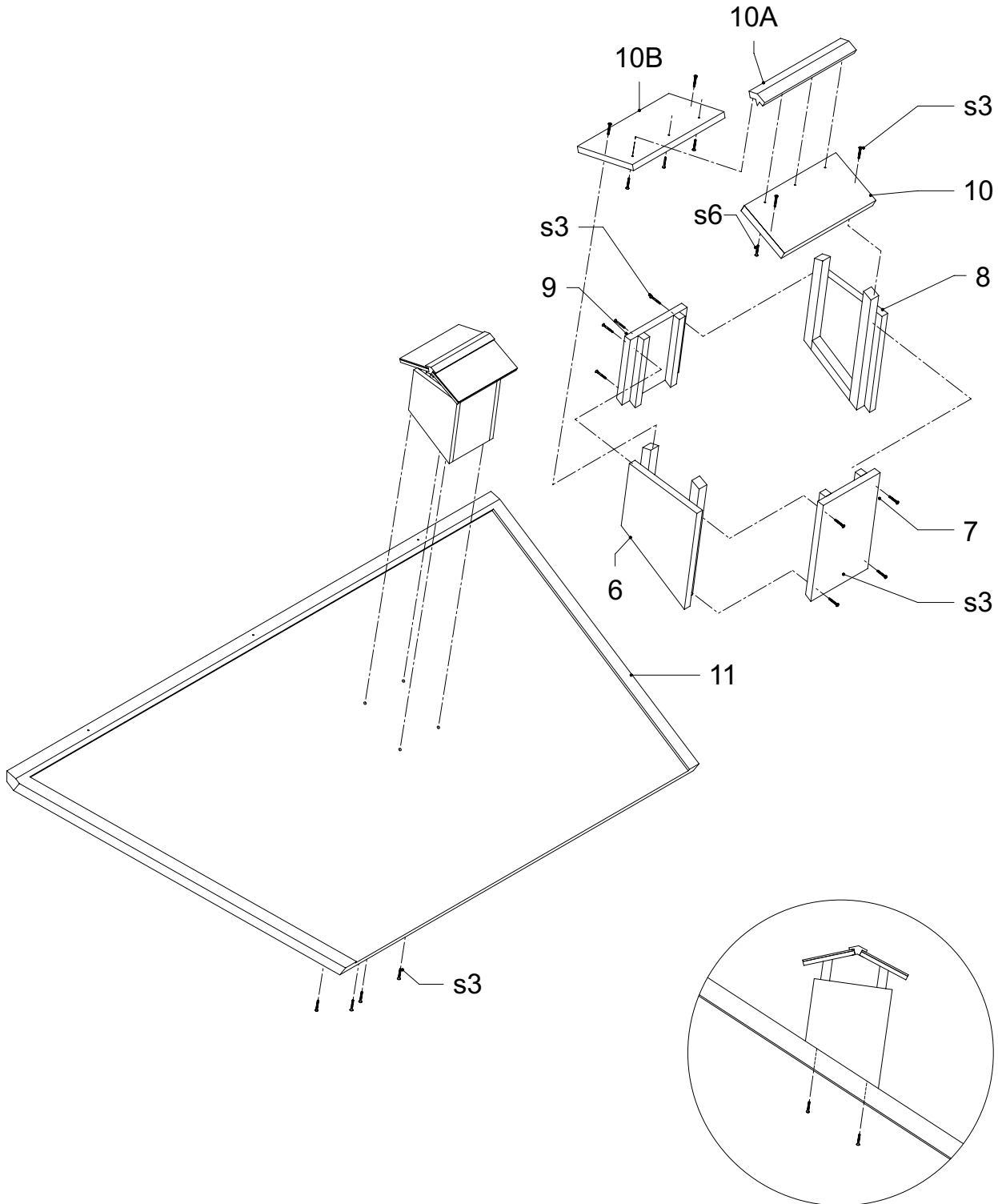


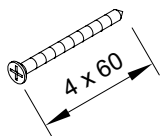


Robin

6	7	8	9	10	10A	10B	11	s3 16x	s6 6x

A030.069.00

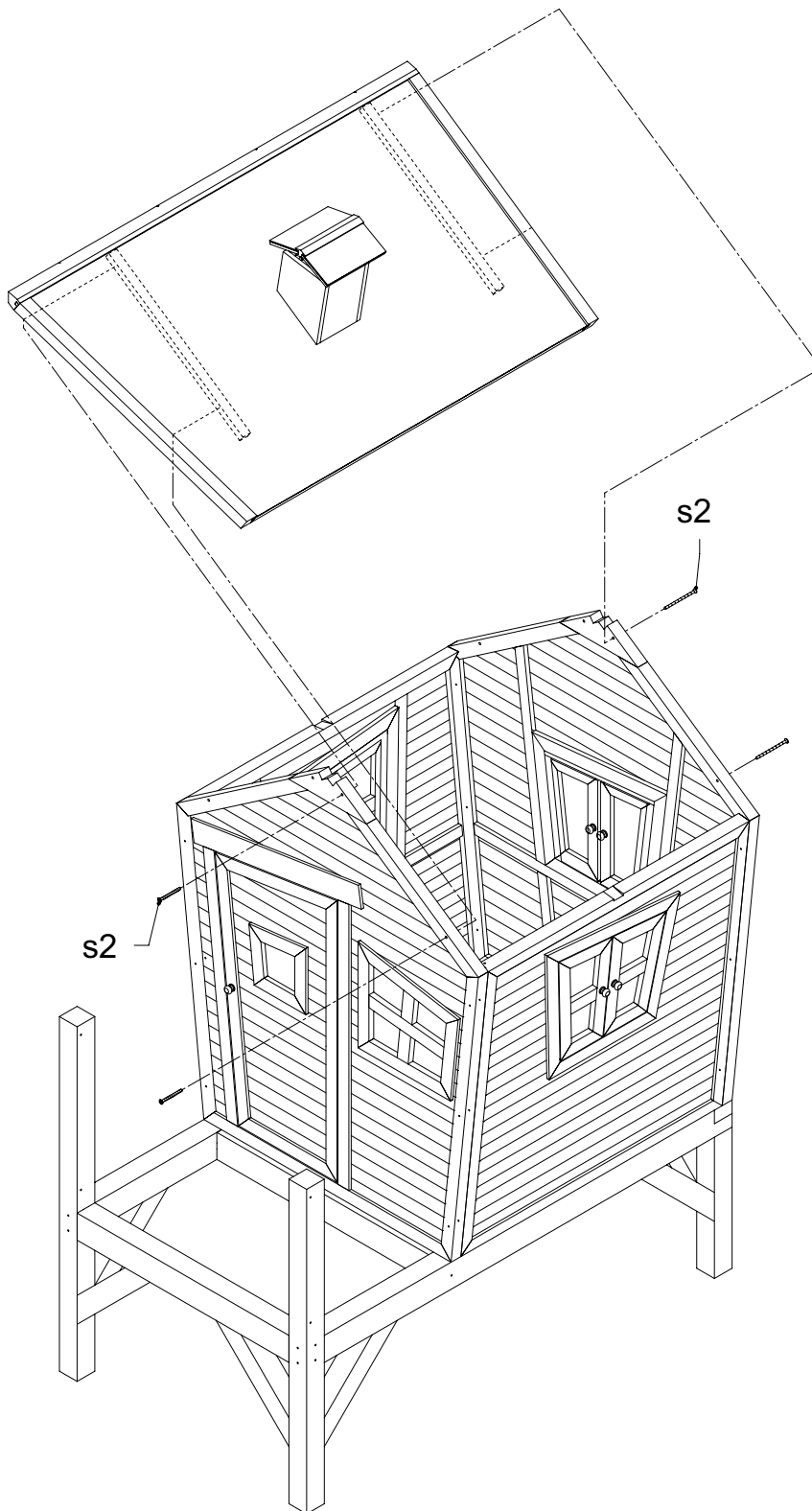


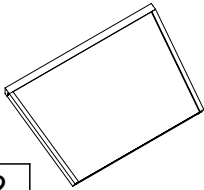


s2

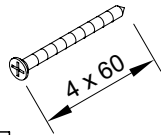
4x

A030.069.00





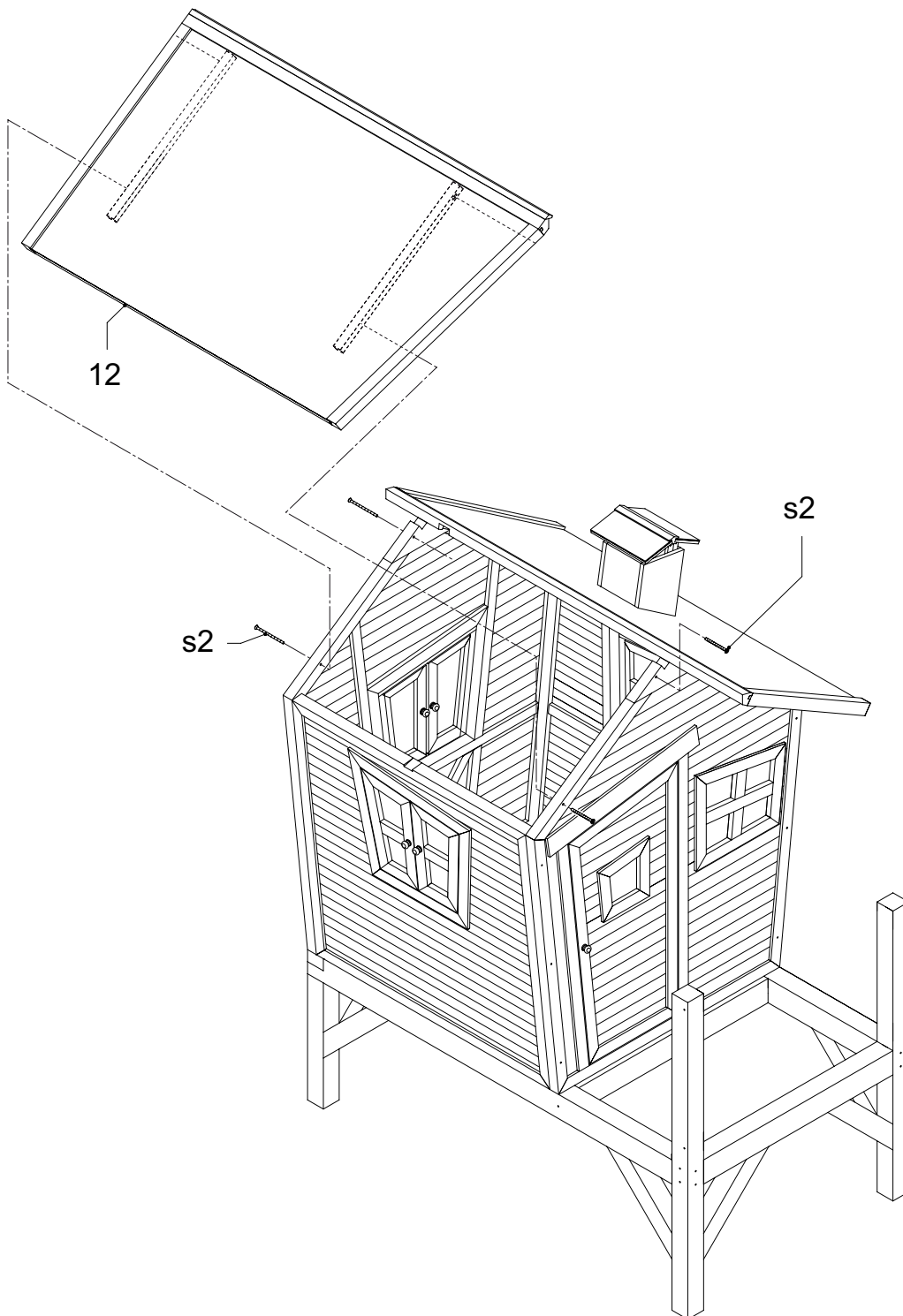
12



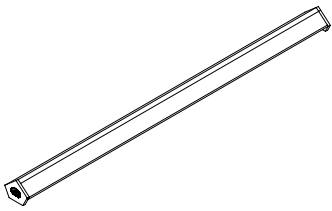
s2

4x

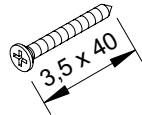
A030.069.00



13

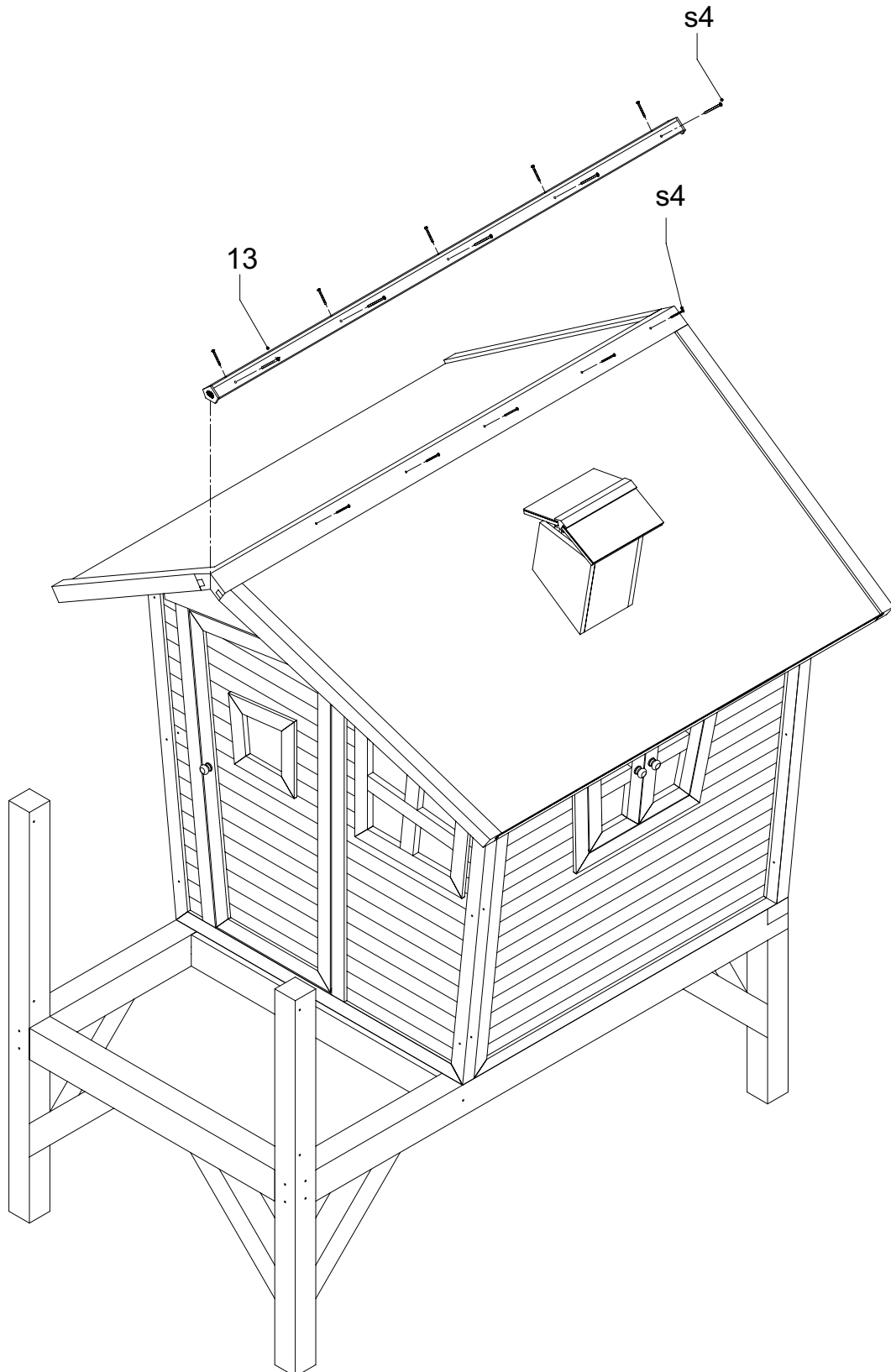


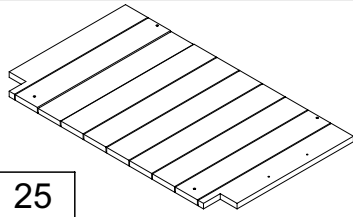
s4



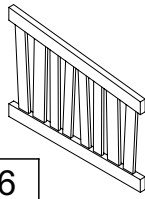
15x

A030.069.00

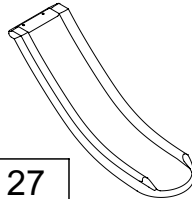




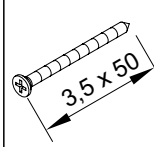
25



26

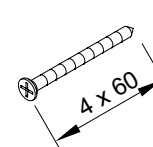


27



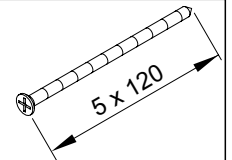
s1

4x



s2

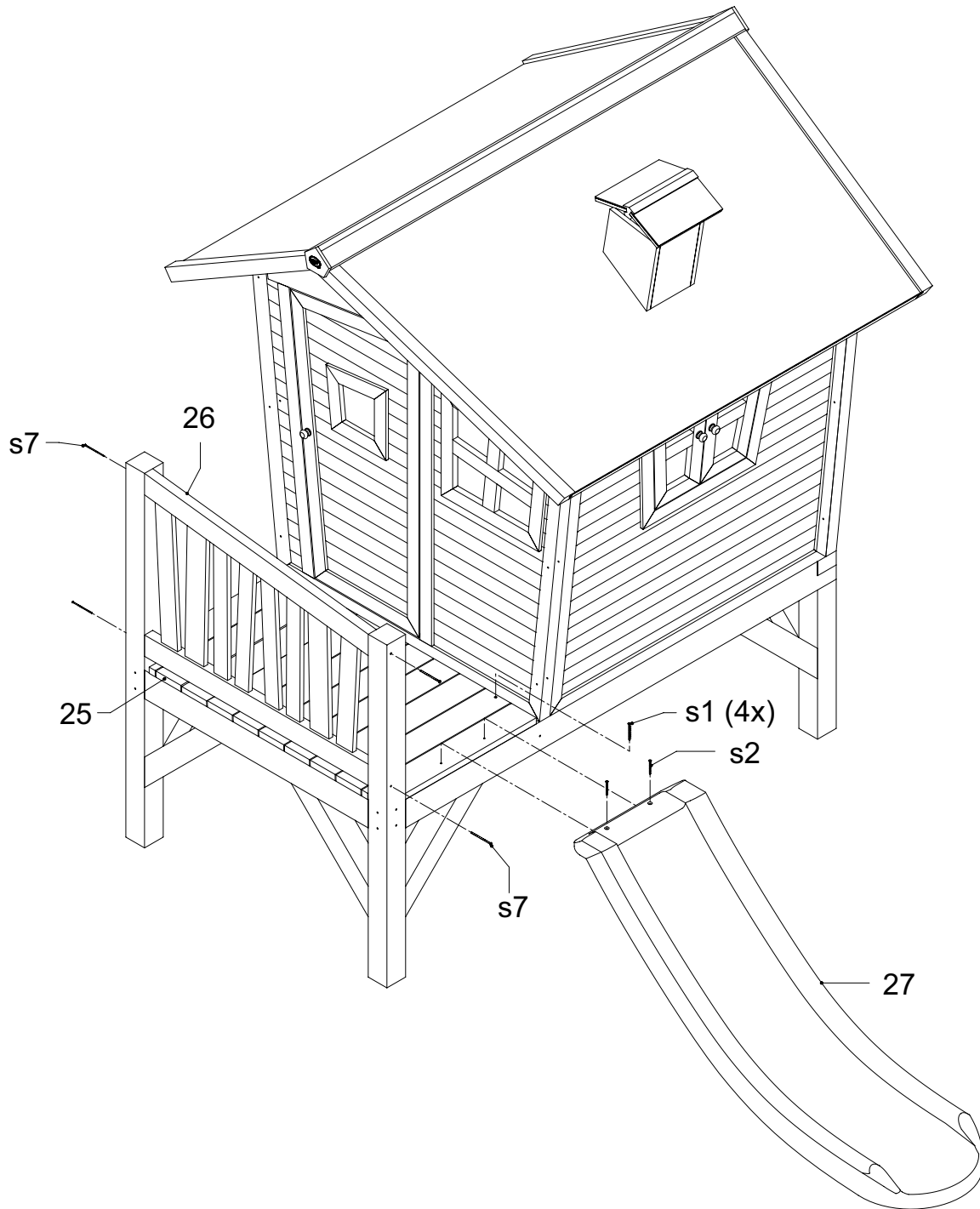
2x



s7

4x

A030.031.00 + A030.076.00



30	3x	28	29	s1	12x	s5	4x

A030.076.00

