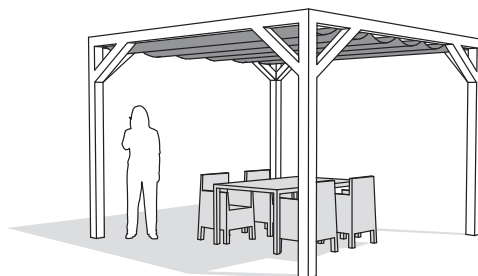


  
**NESLING**<sup>®</sup> THE PERFECT SHADOW

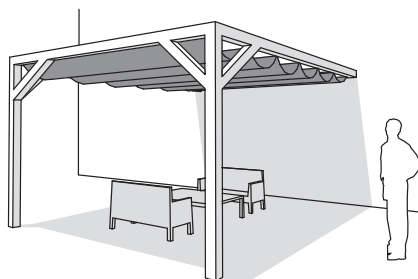
## Nesling Pergola Kit

MONTAGE HANDLEIDING / ASSEMBLY INSTRUCTIONS  
MONTAGEANLEITUNG / NOTICE DE POSE /  
INSTRUCCIONES DE MONTAJE / INSTRUZIONI PER IL MONTAGGIO

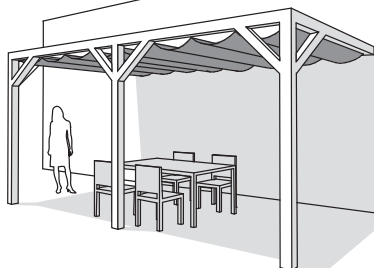
Pergola  
**stand-alone**



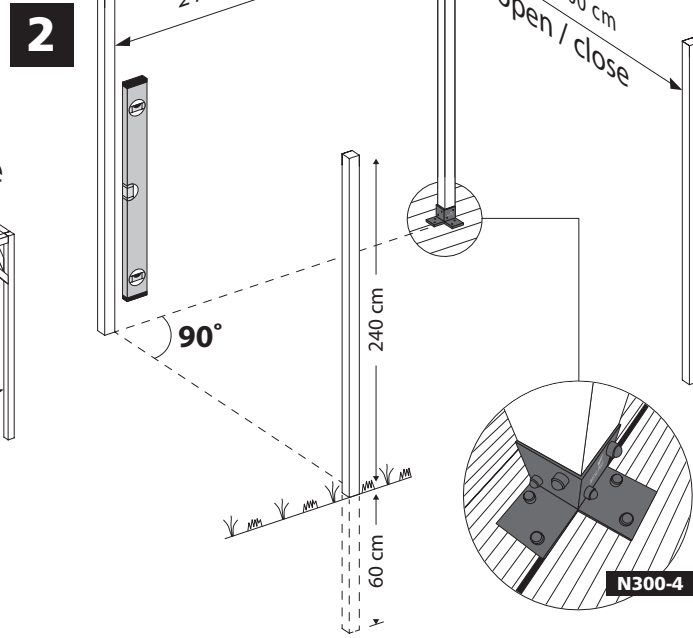
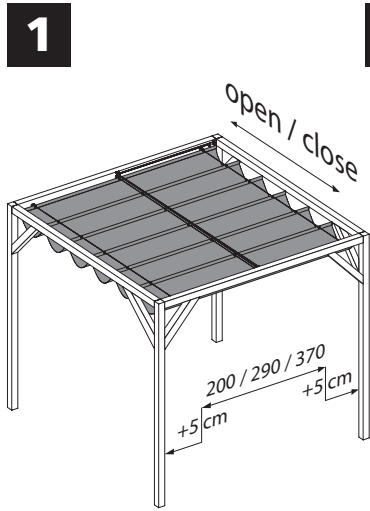
Pergola  
**wall 1**



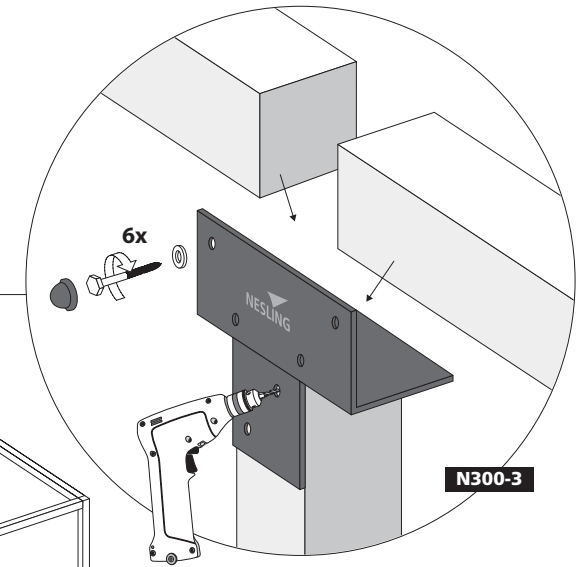
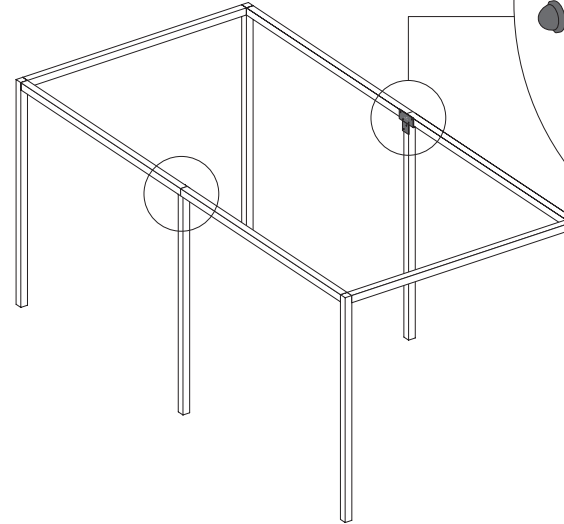
Pergola  
**wall 2**



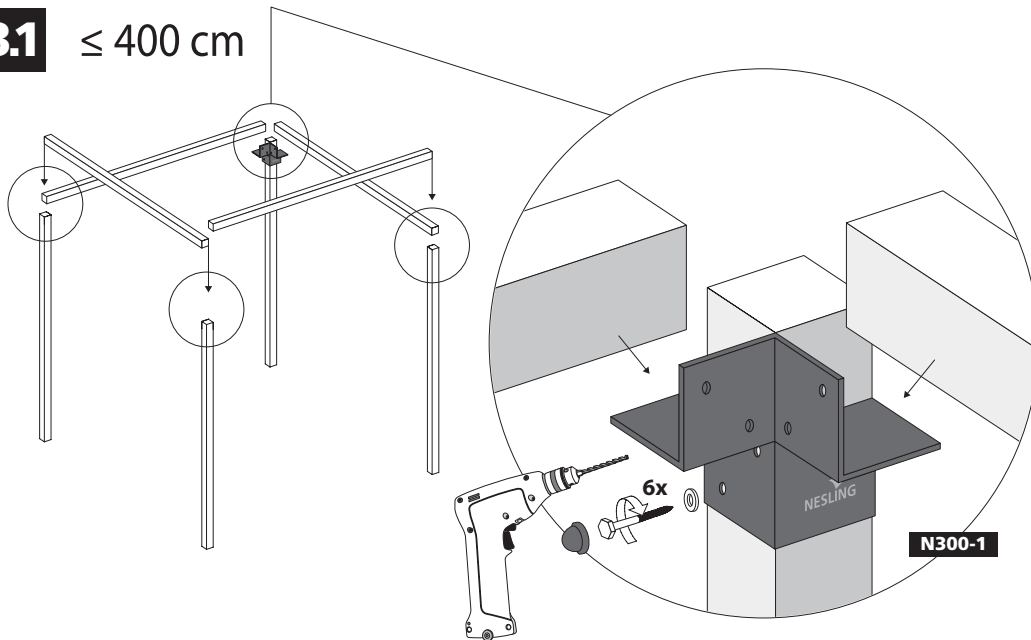
# Pergola stand-alone



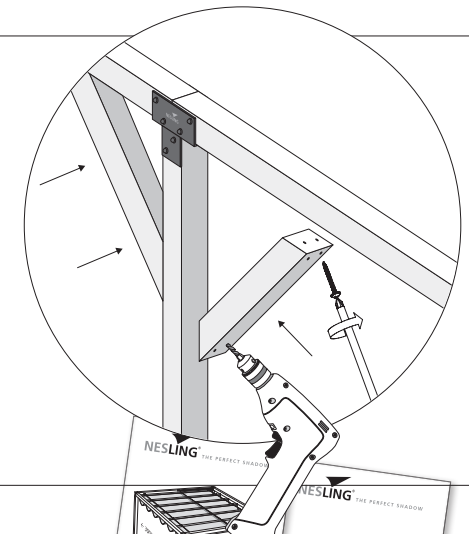
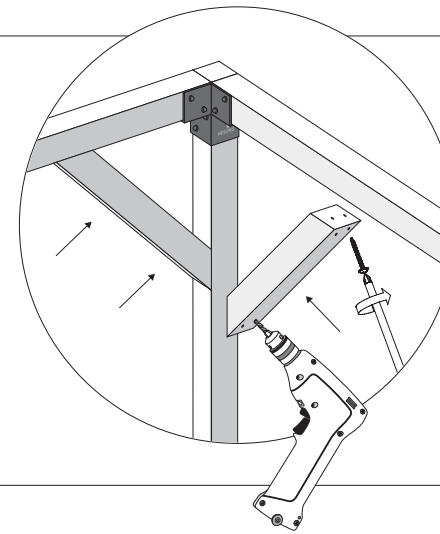
## 3.2 > 400 cm



## 3.1 ≤ 400 cm

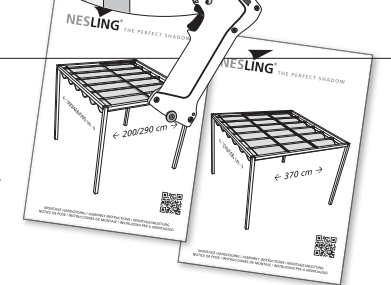


## 4



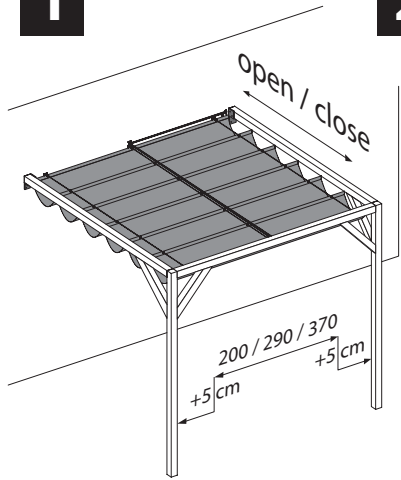
## 5

MONTAGE HANDLEIDING COOLFIT HARMONICA  
ASSEMBLY INSTRUCTIONS COOLFIT HARMONICA

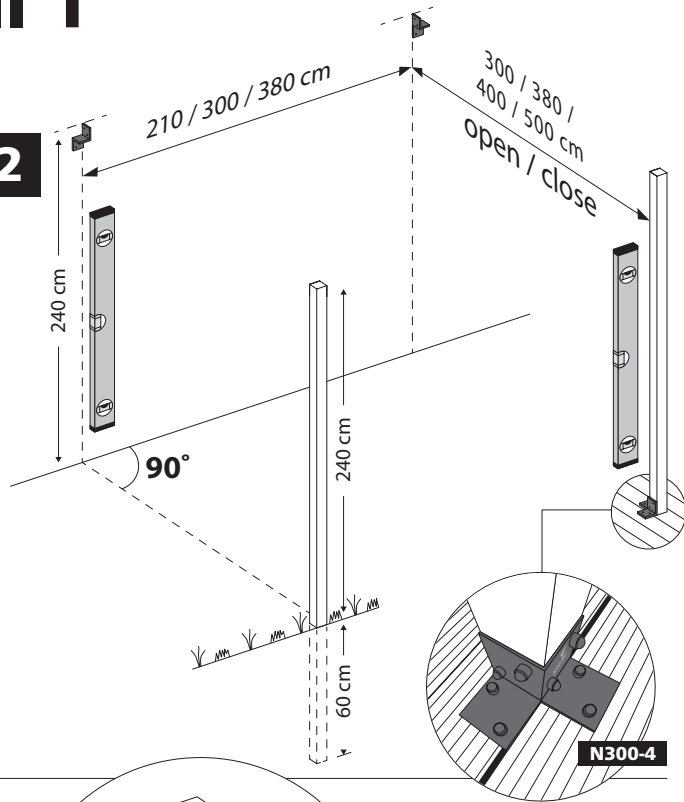


# Pergola wall 1

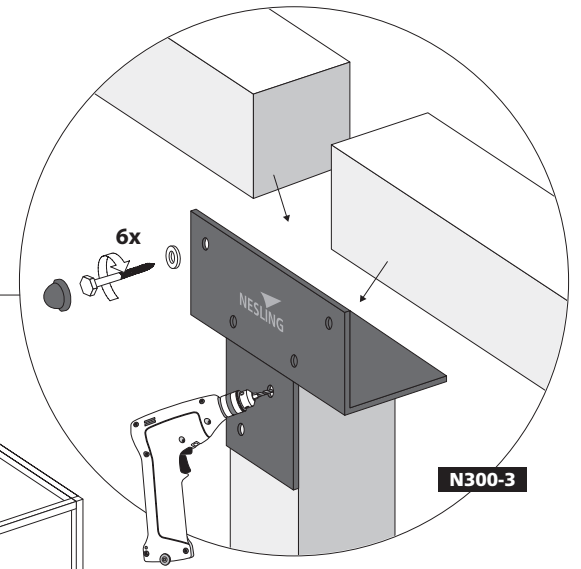
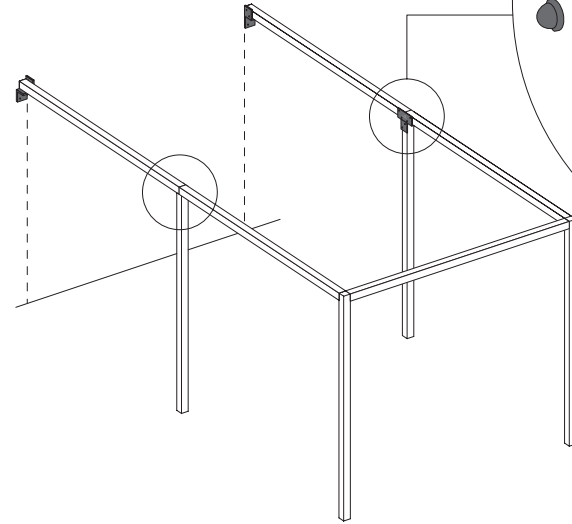
**1**



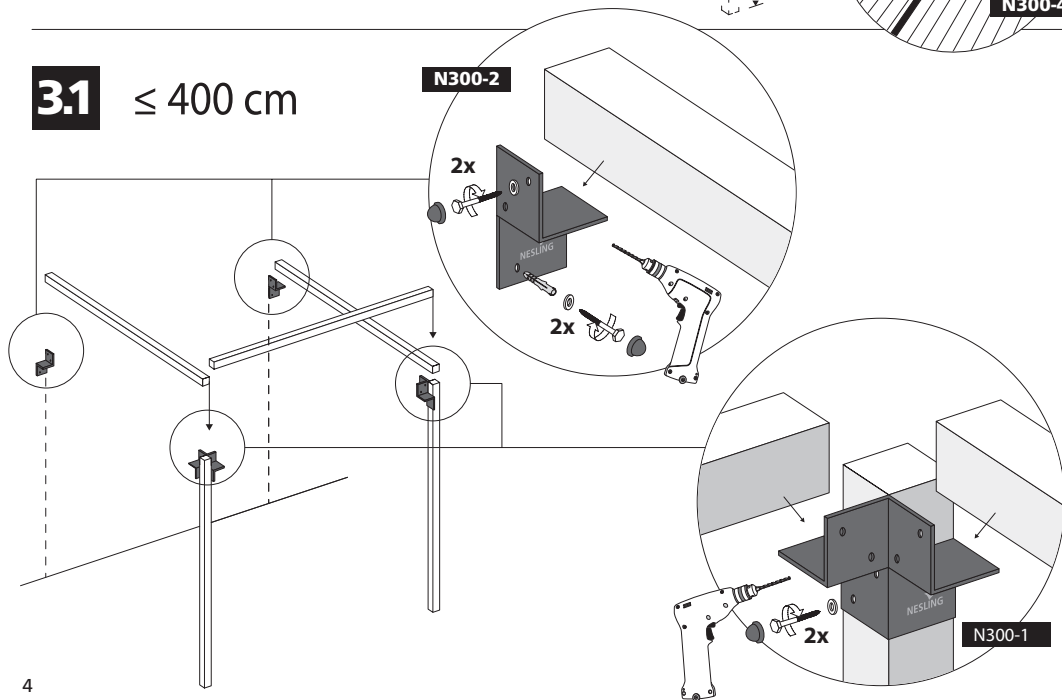
**2**



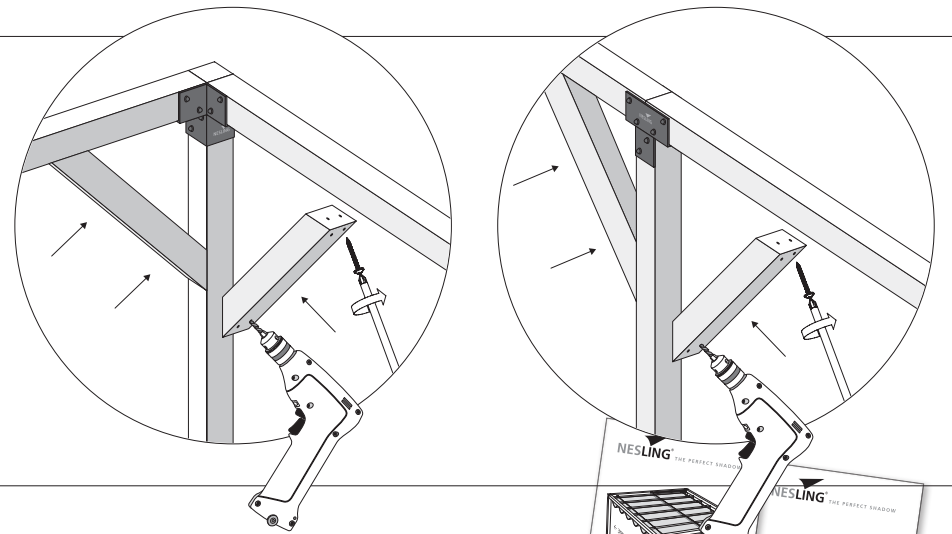
**3.2** > 400 cm



**3.1** ≤ 400 cm

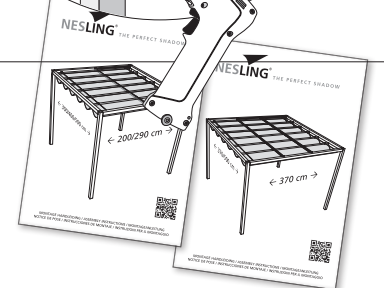


**4**



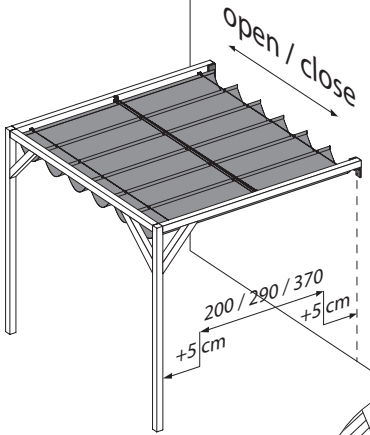
**5**

MONTAGE HANDLEIDING COOLFIT HARMONICA  
ASSEMBLY INSTRUCTIONS COOLFIT HARMONICA

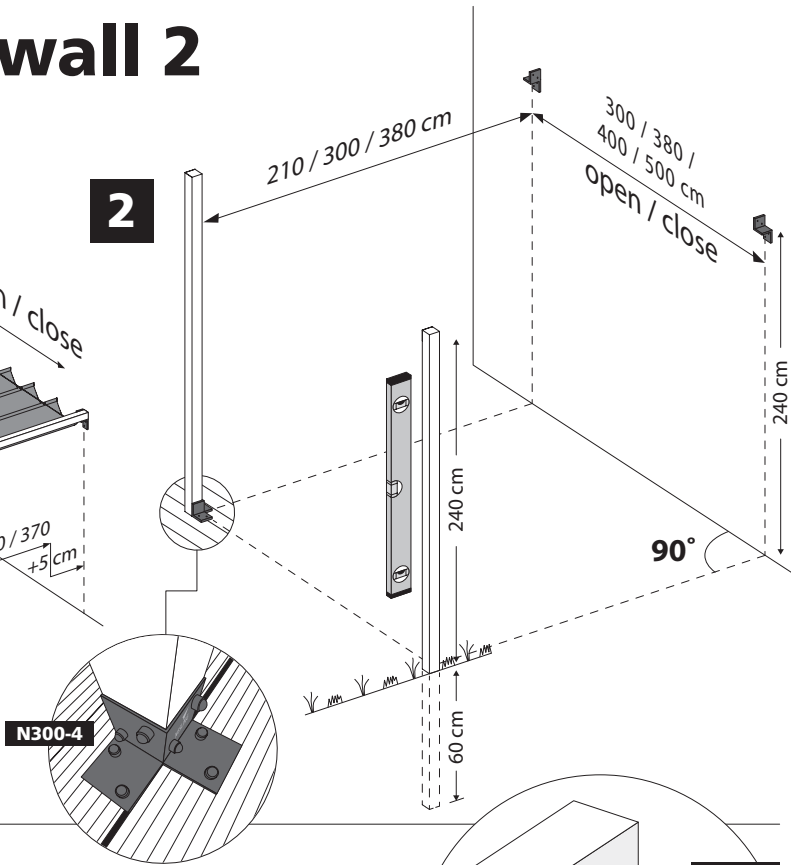


# Pergola wall 2

**1**

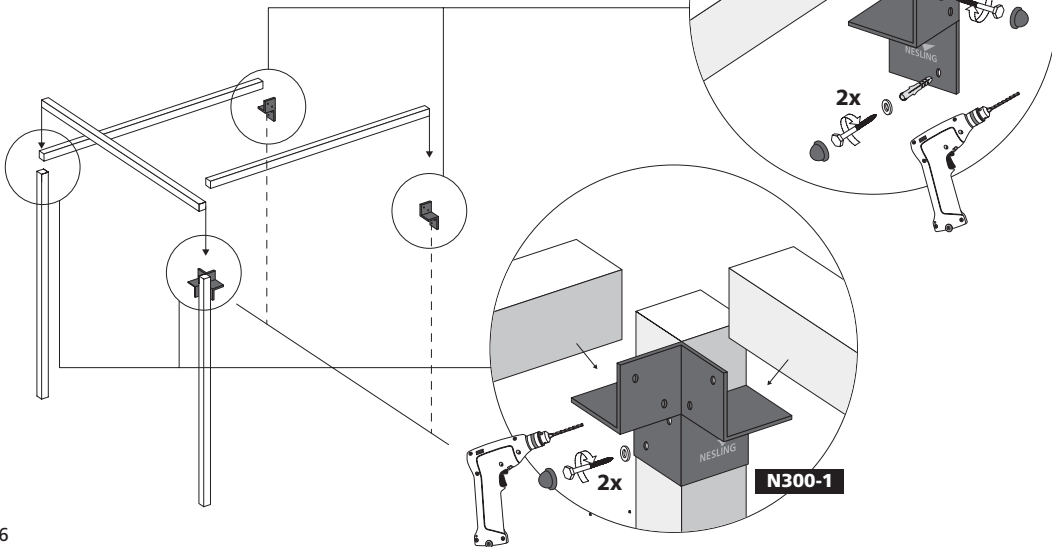


**2**



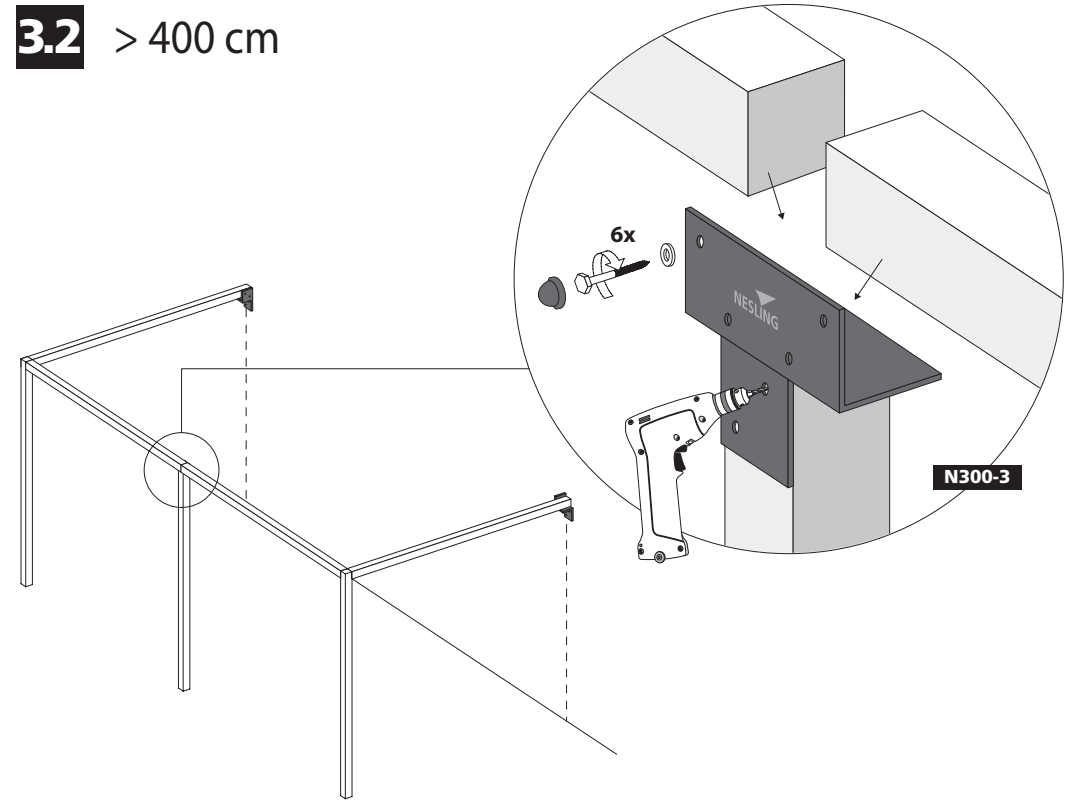
**3.1**

≤ 400 cm

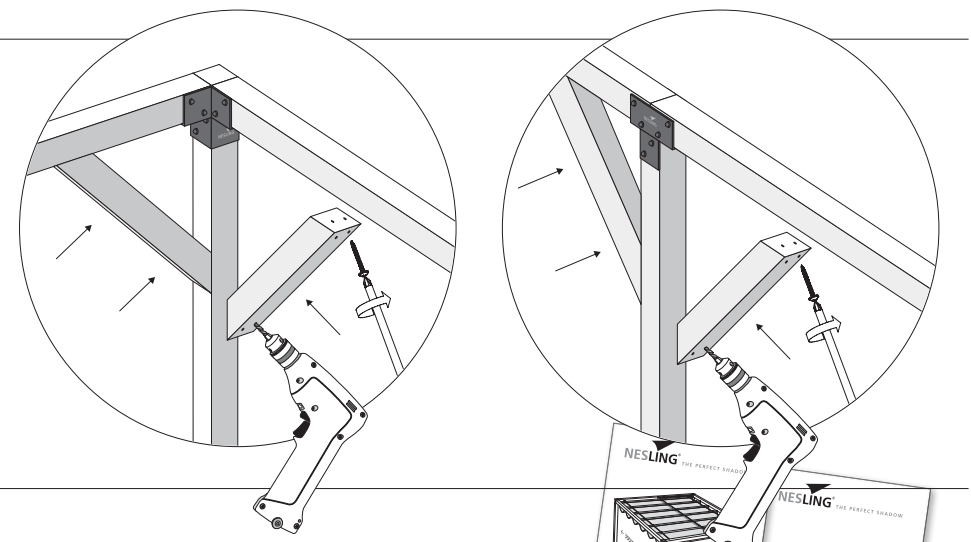


**3.2**

> 400 cm

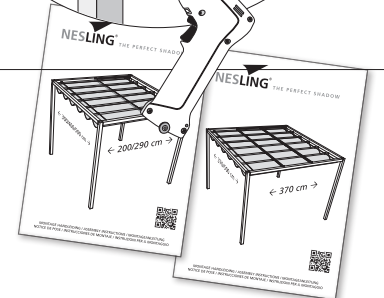


**4**

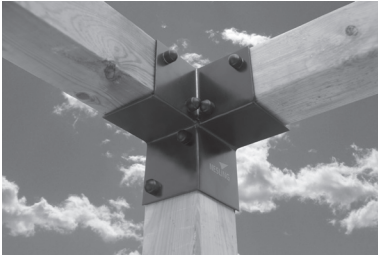


**5**

MONTAGE HANDLEIDING COOLFIT HARMONICA  
ASSEMBLY INSTRUCTIONS COOLFIT HARMONICA



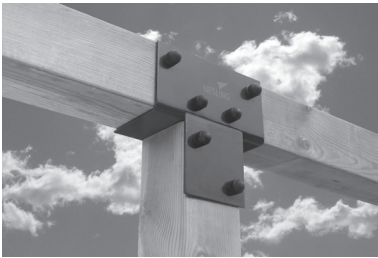
# Nesling Pergola Kit



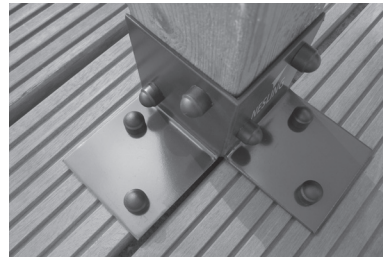
**N300-1** Corner support



**N300-2** Wall support



**N300-3** Connection support



**N300-4** Floor support



© 2012 Copyright Nesling B.V.  
[www.nesling.com](http://www.nesling.com)

