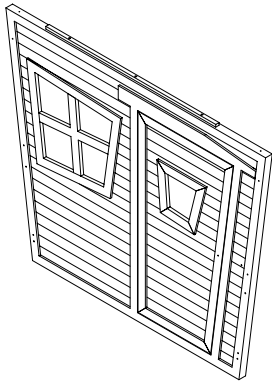


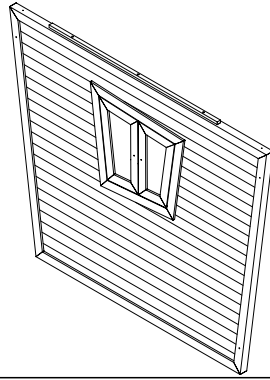


Iris

A030.111.00



1

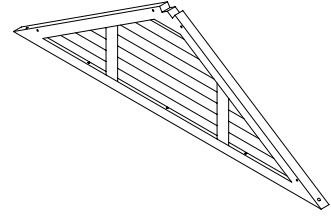


3



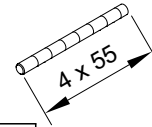
4

14x



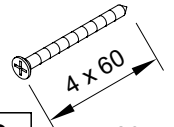
5

2x



t1

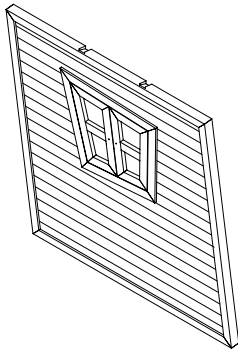
7x



s2

26x

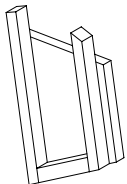
A030.112.00



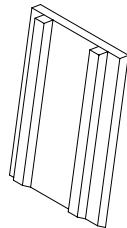
2

2x

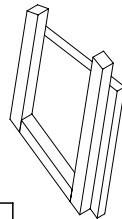
A030.113.00



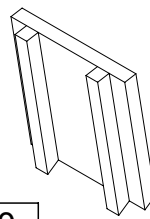
7



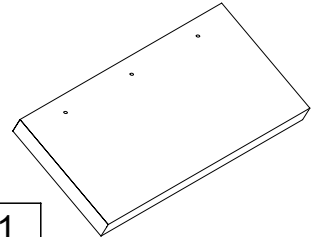
8



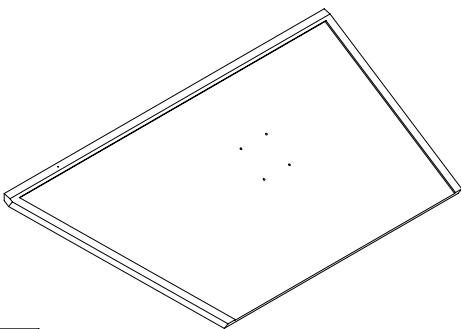
9



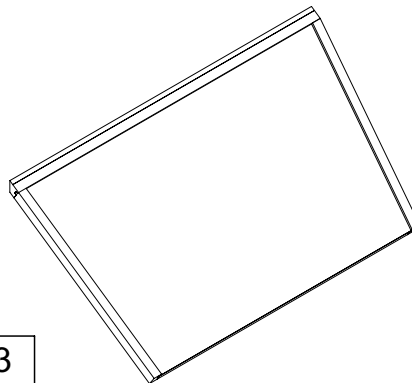
10



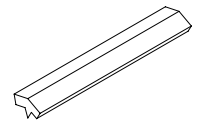
11



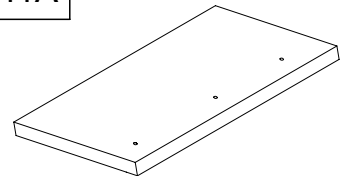
12



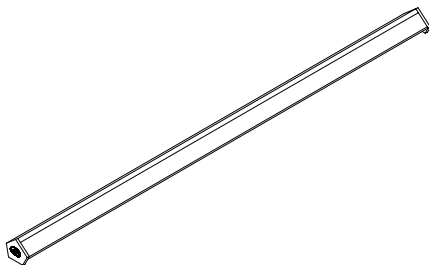
13



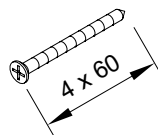
11A



11B

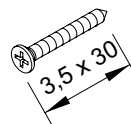


14



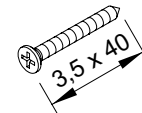
s2

8x



s3

16x



s4

15x



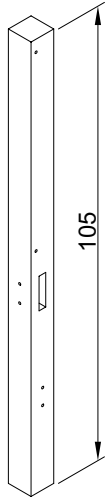
s6

6x

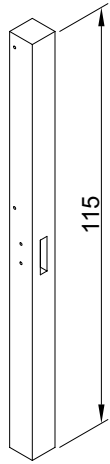


Iris

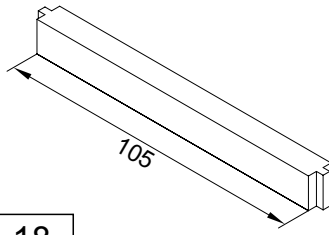
A030.115.00



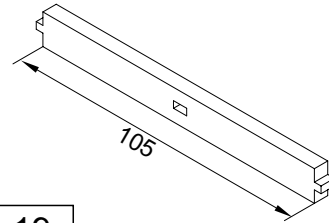
16



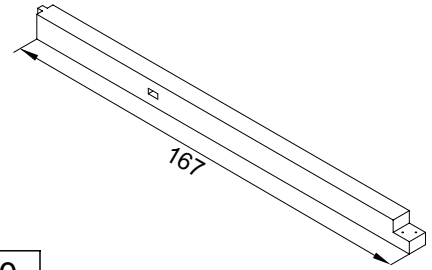
17



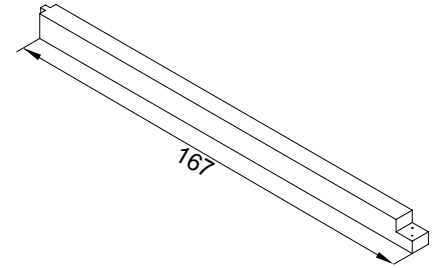
18



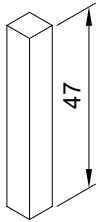
19



20

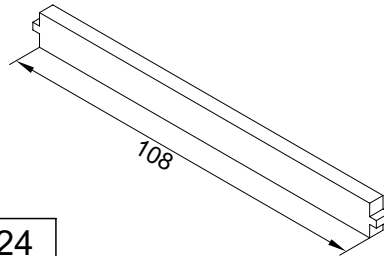


21

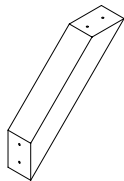


22

2x

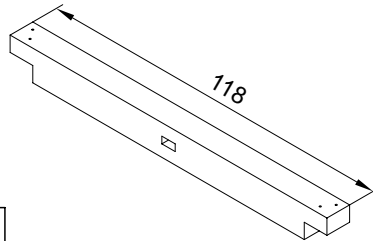


24



23

8x



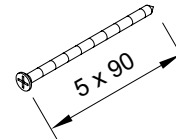
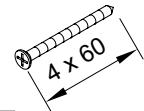
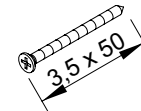
25

s1

14x

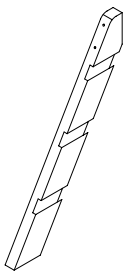
s2

16x

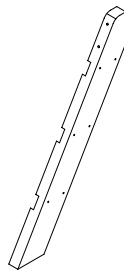


s5

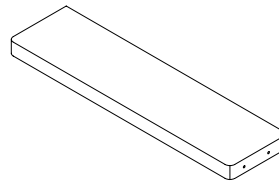
40x



29

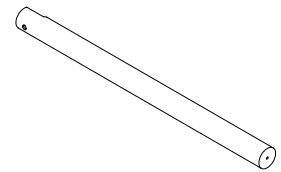


30



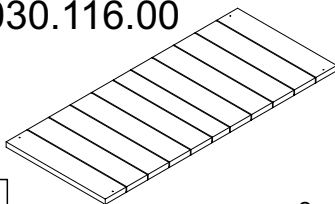
31

3x



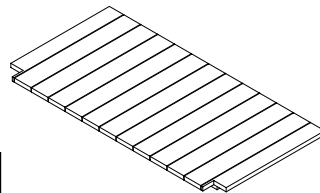
32

A030.116.00



6

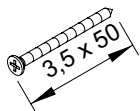
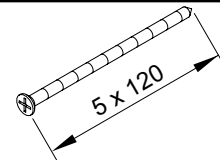
2x



26

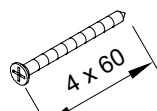
s7

4x



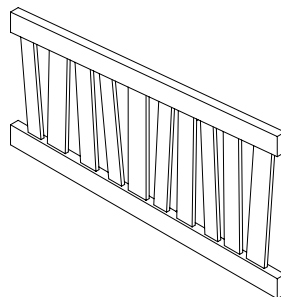
s1

12x



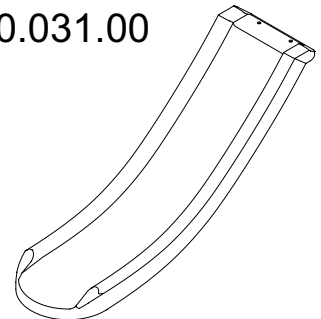
s2

2x



27

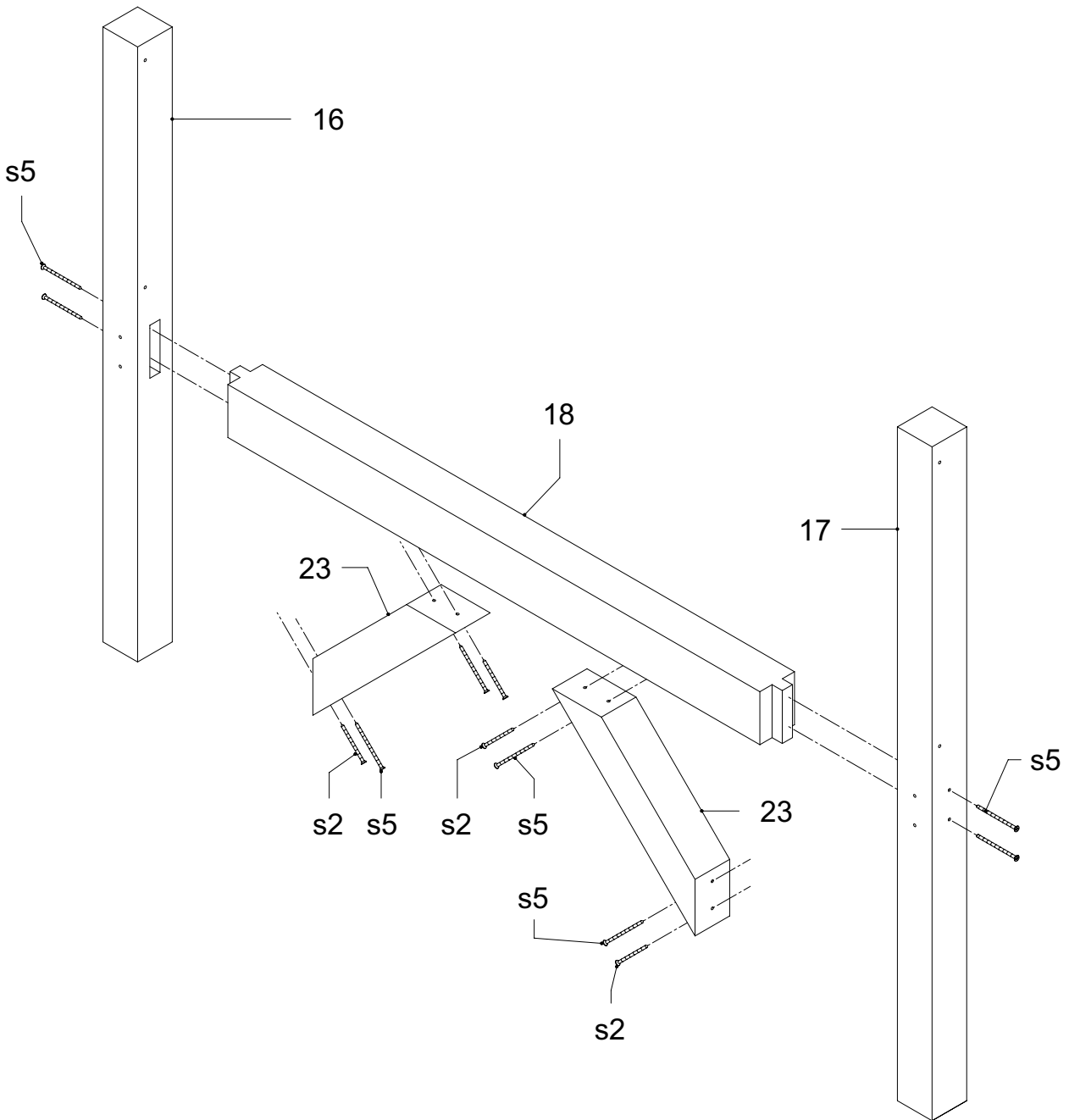
A030.031.00



28

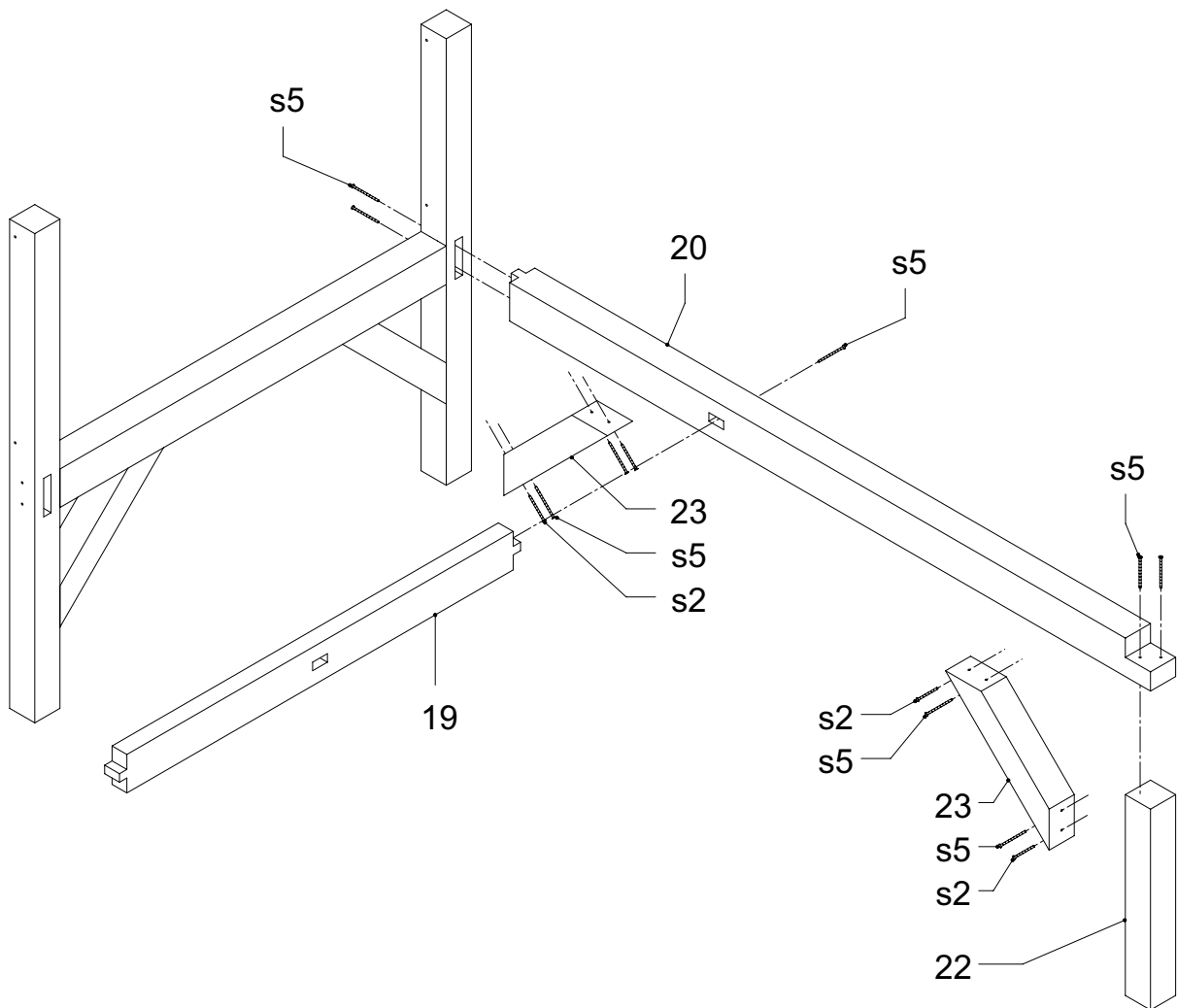
16	17	18	23	2x s5	8x s2

A030.115.00



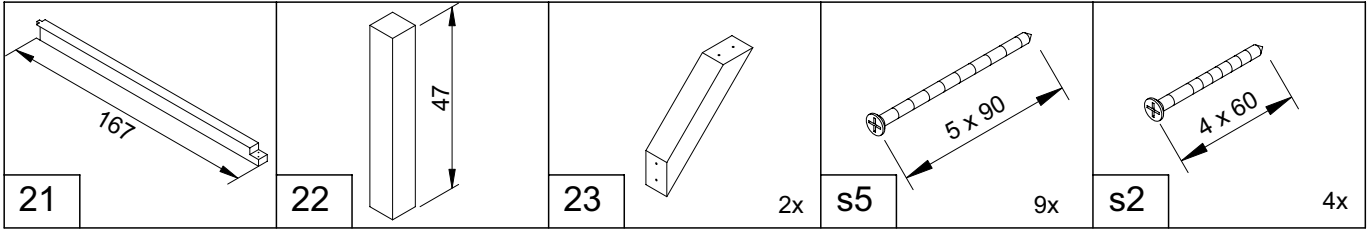
19	20	22	1x 23	2x s5	9x s2 4x

A030.115.00

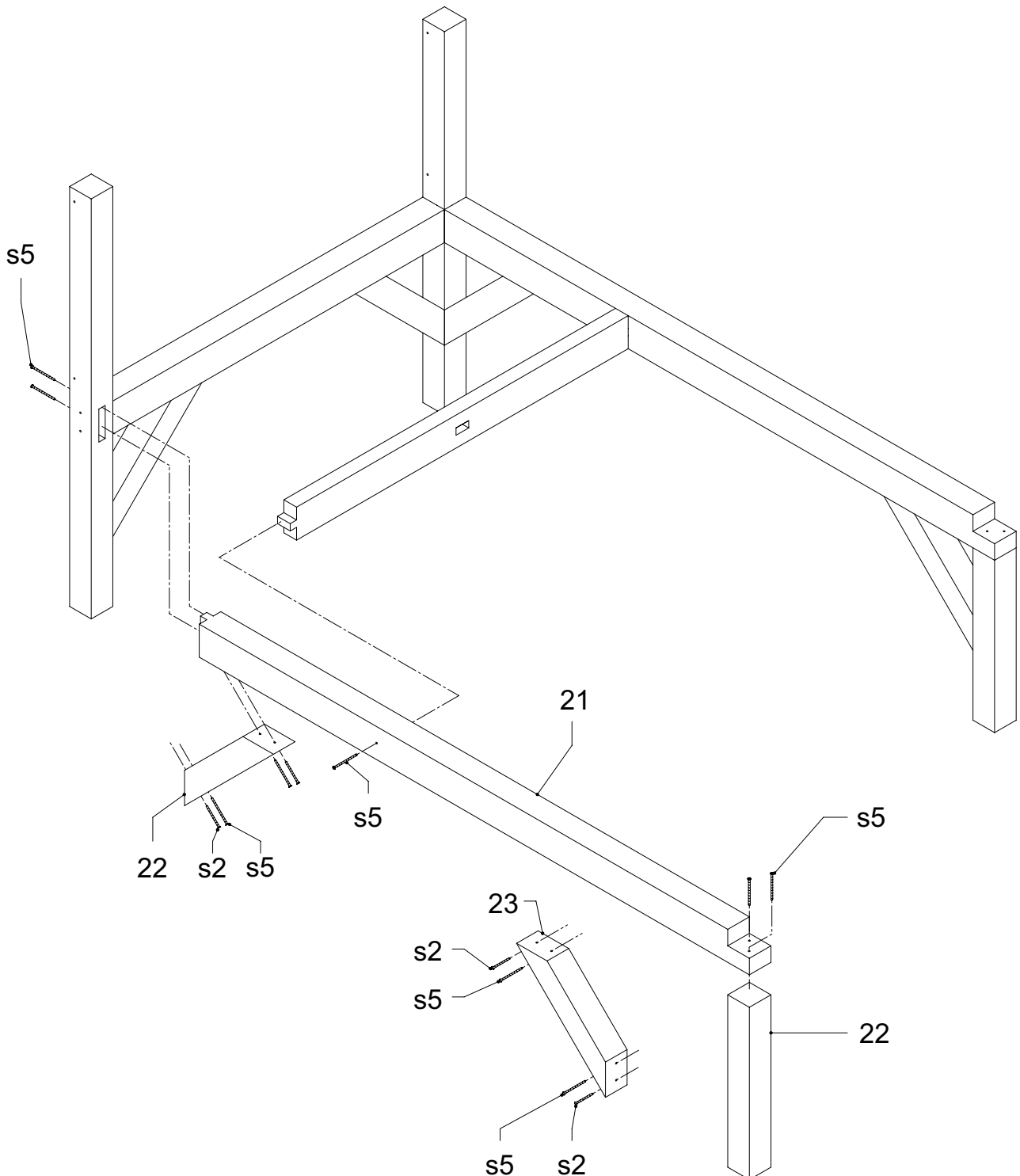


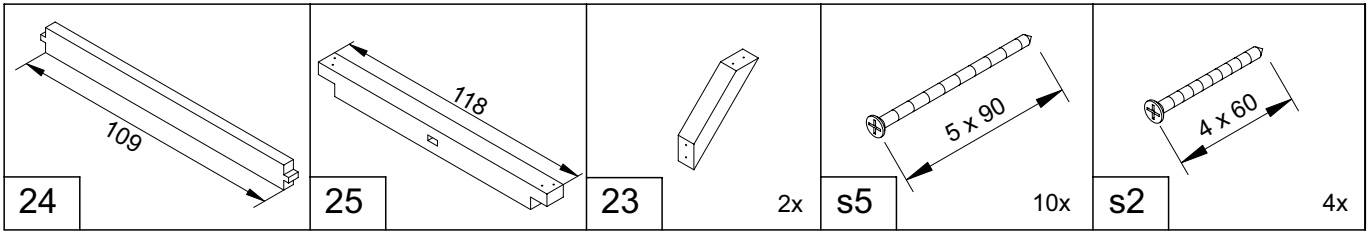


Iris

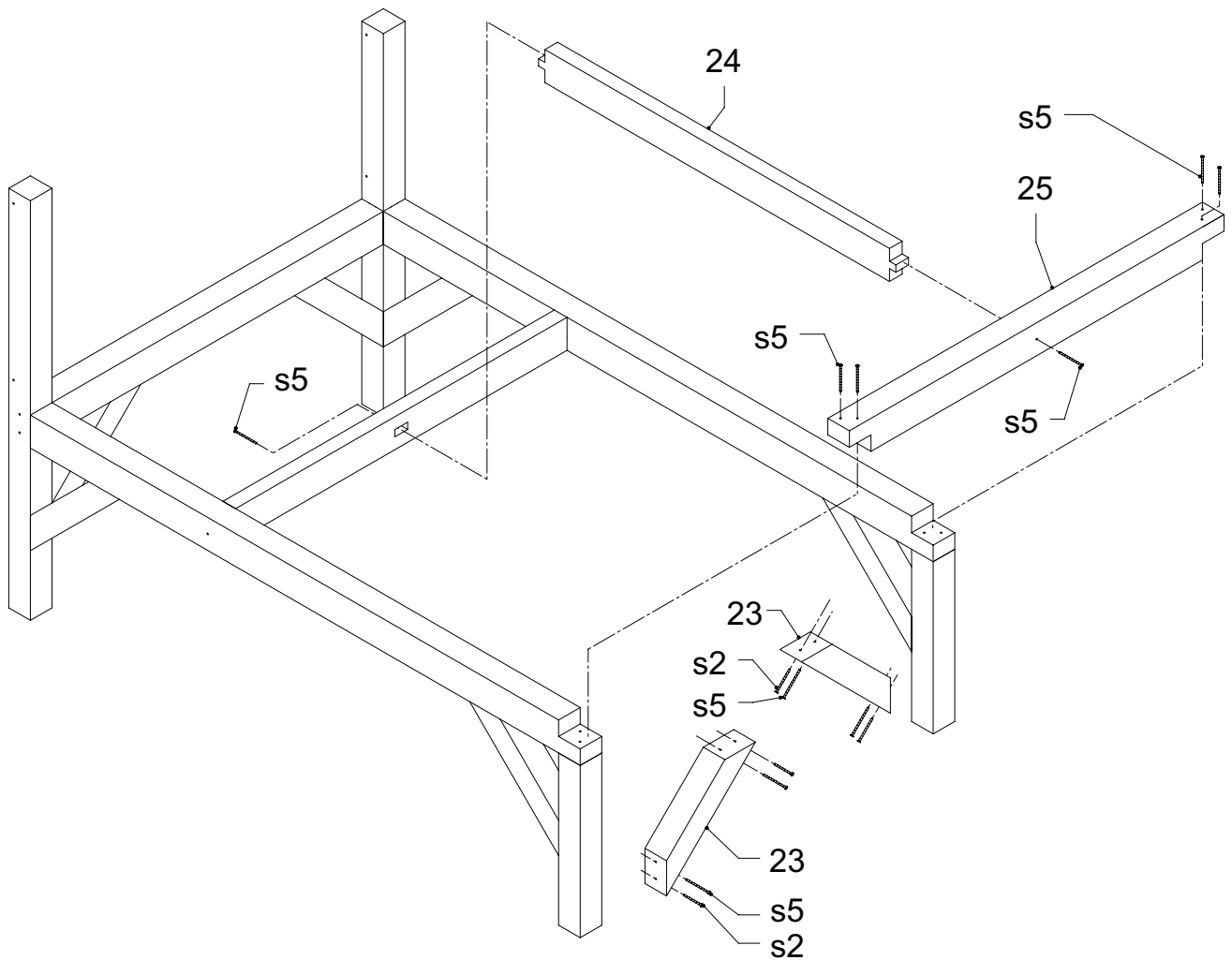


A030.115.00



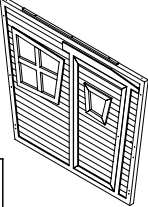
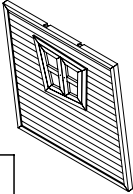
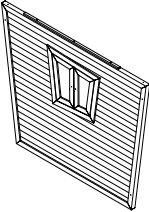

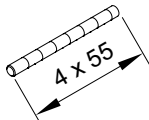
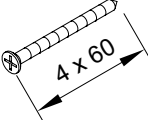


A030.115.00

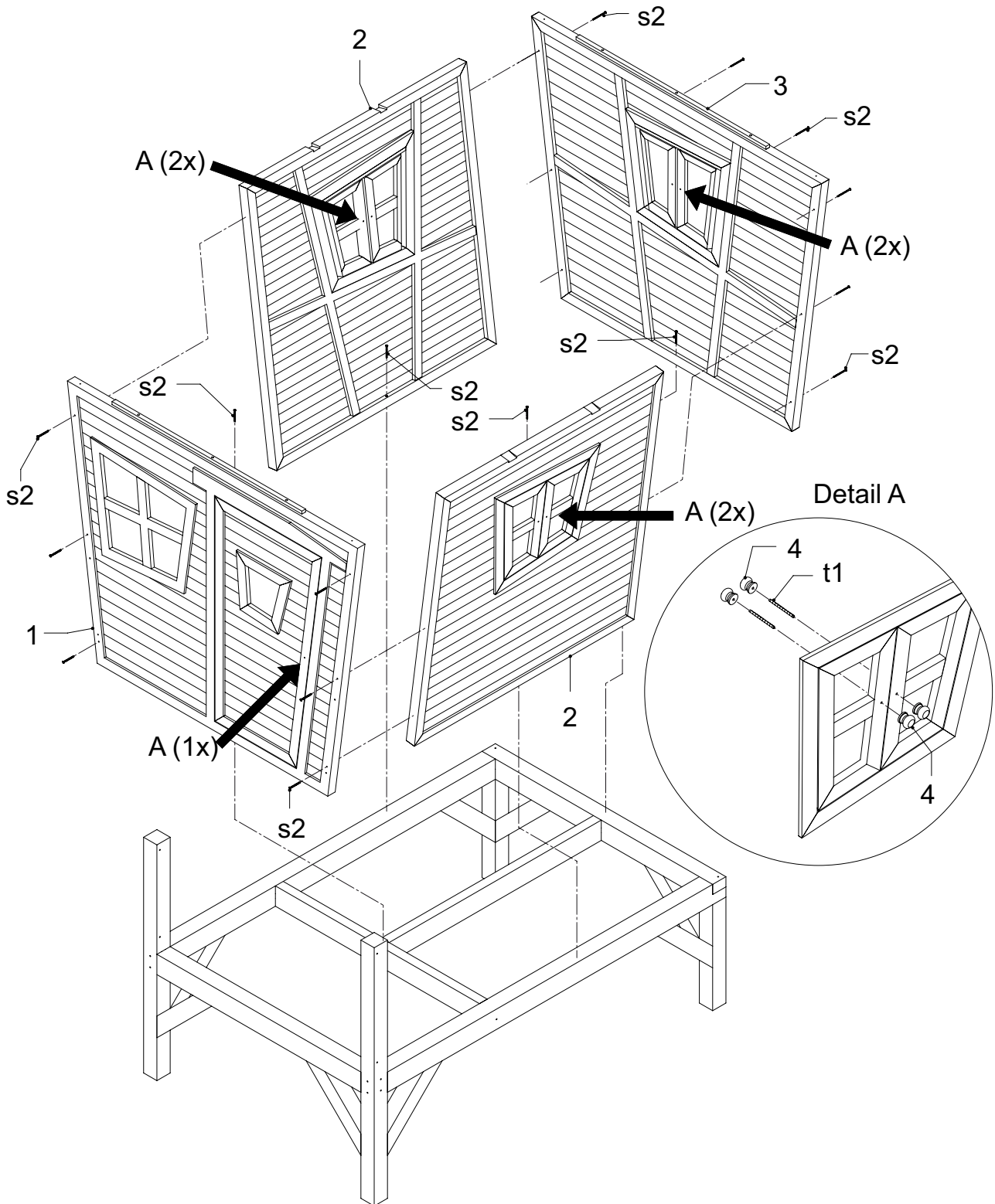


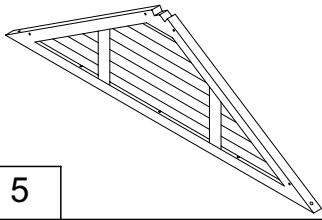


Iris

					
1	2x	3	14x	t1 7x	s2 16x

A030.111.00 + A030.112.00

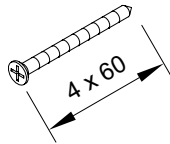




5

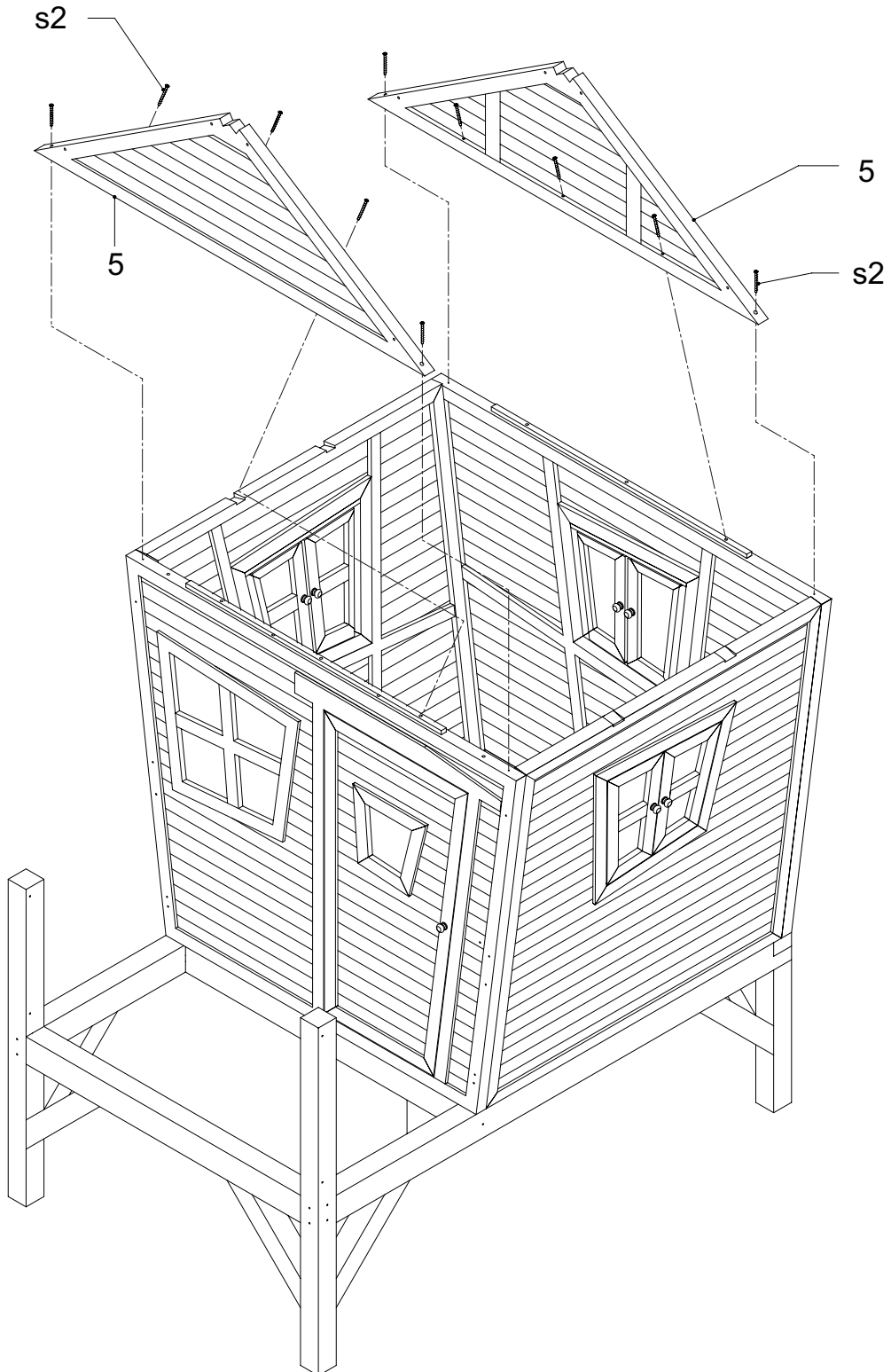
2x

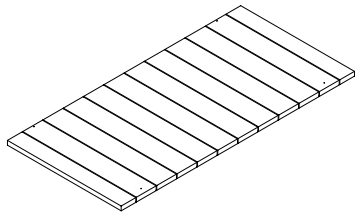
s2



10x

A030.116.00

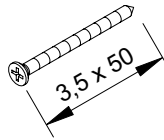




6

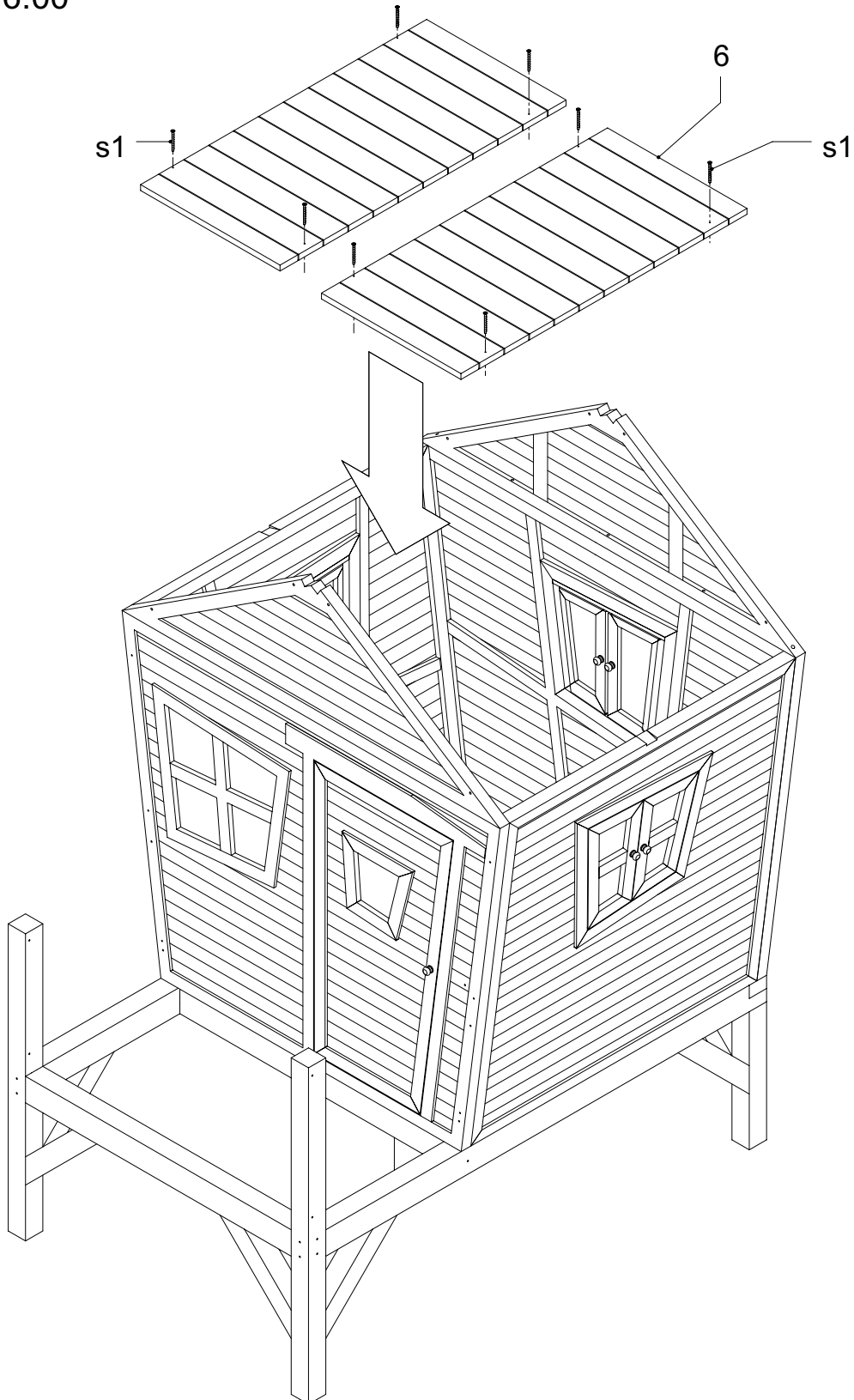
2x

s1



8x

A030.116.00

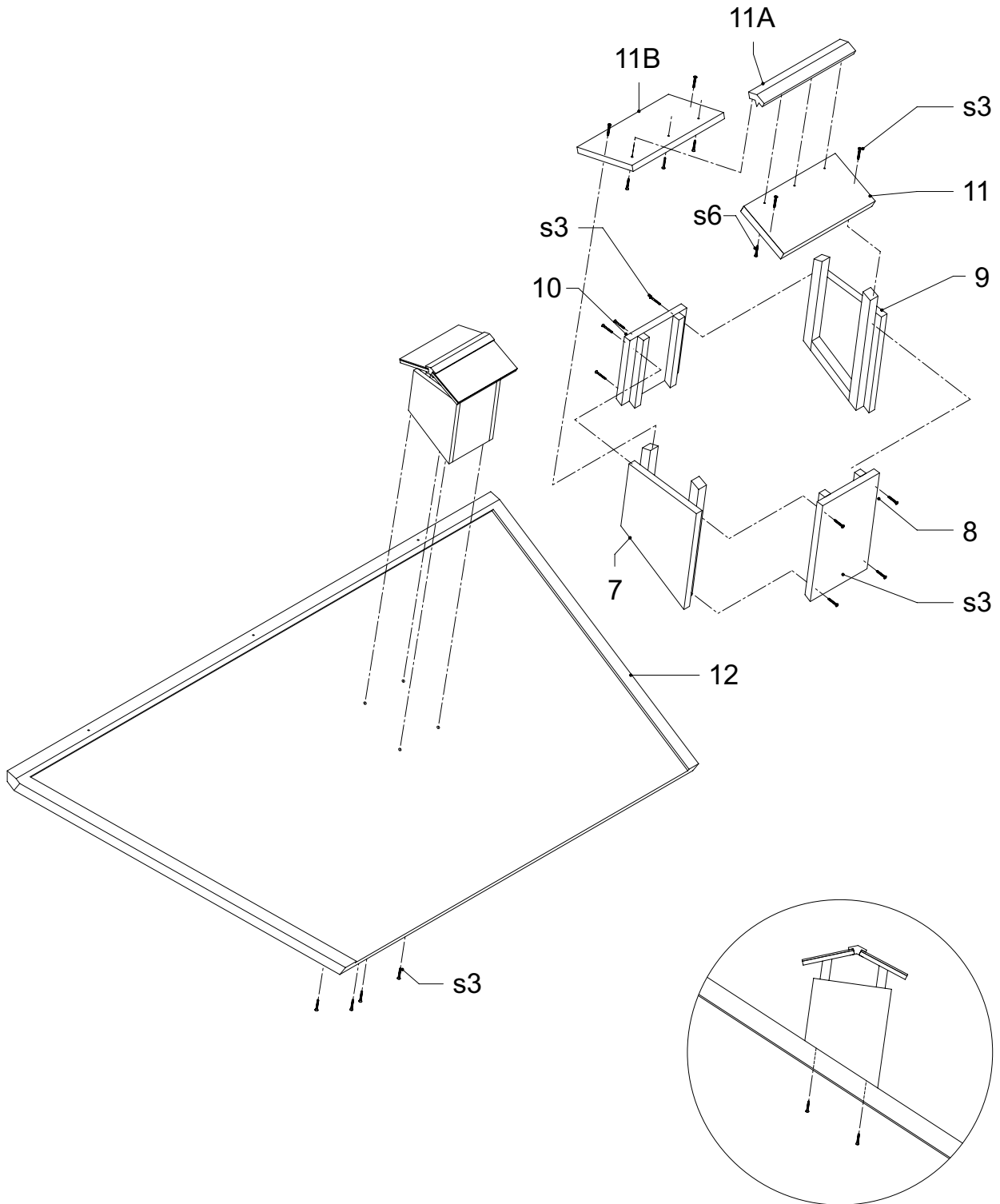


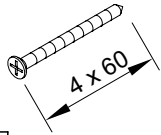


Iris

7	8	9	10	11	11A	11B	12	s3 16x	s6 6x

A030.113.00

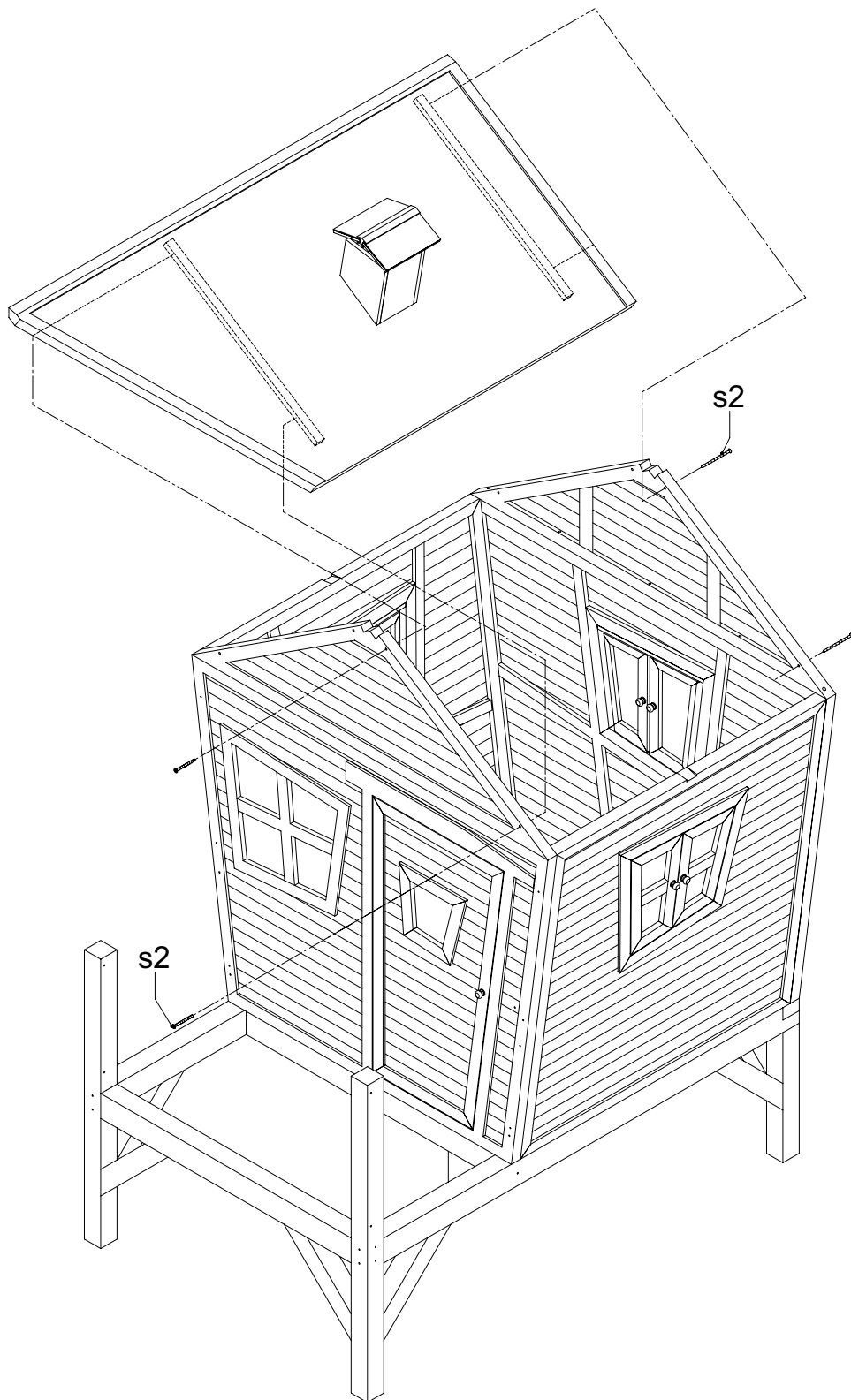


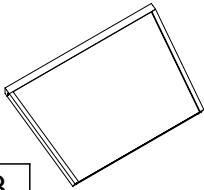


s2

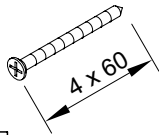
4x

A030.113.00





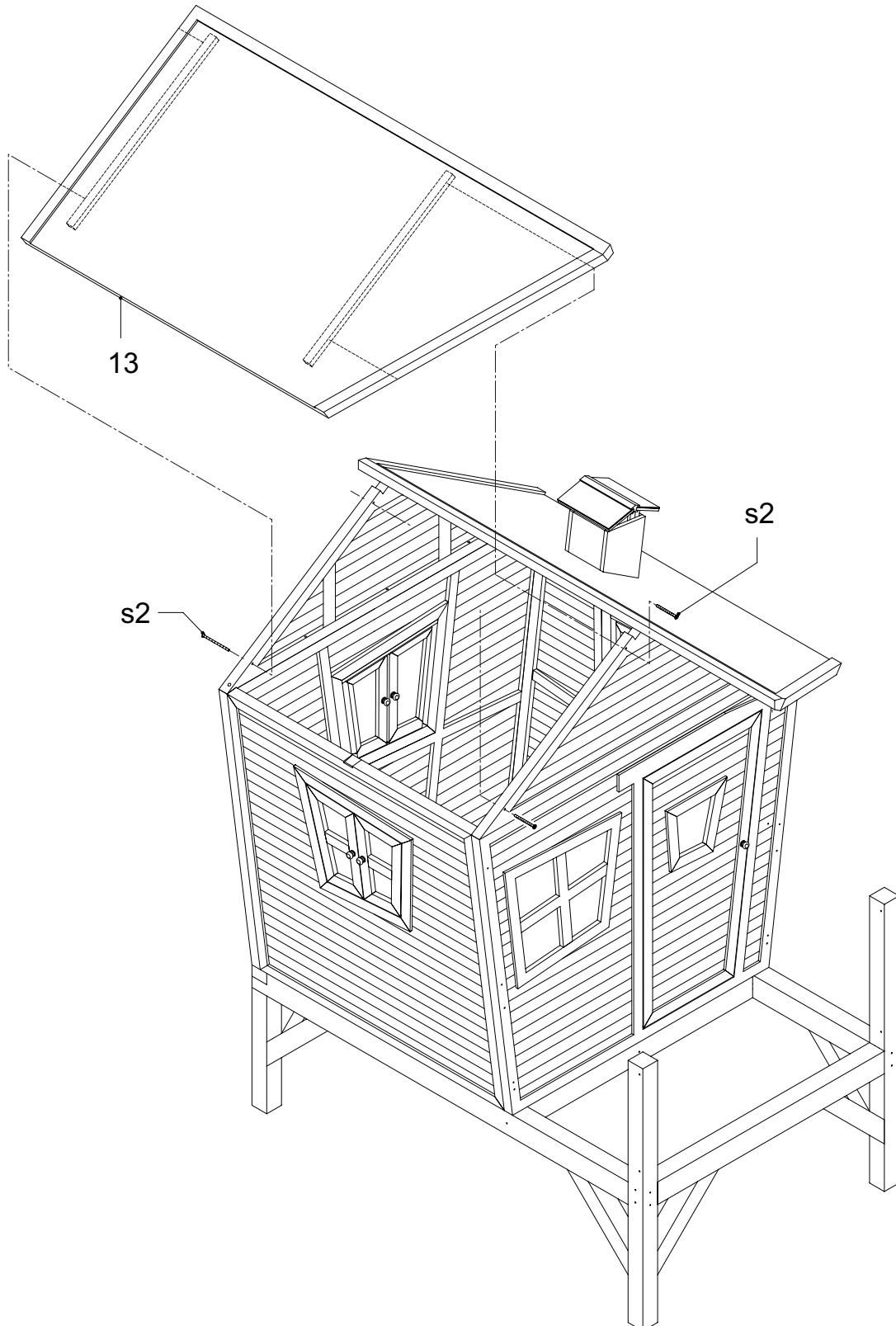
13



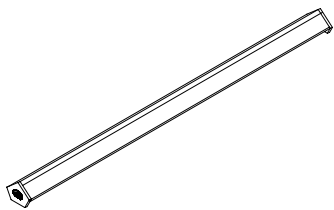
s2

4x

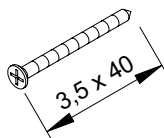
A030.113.00



15

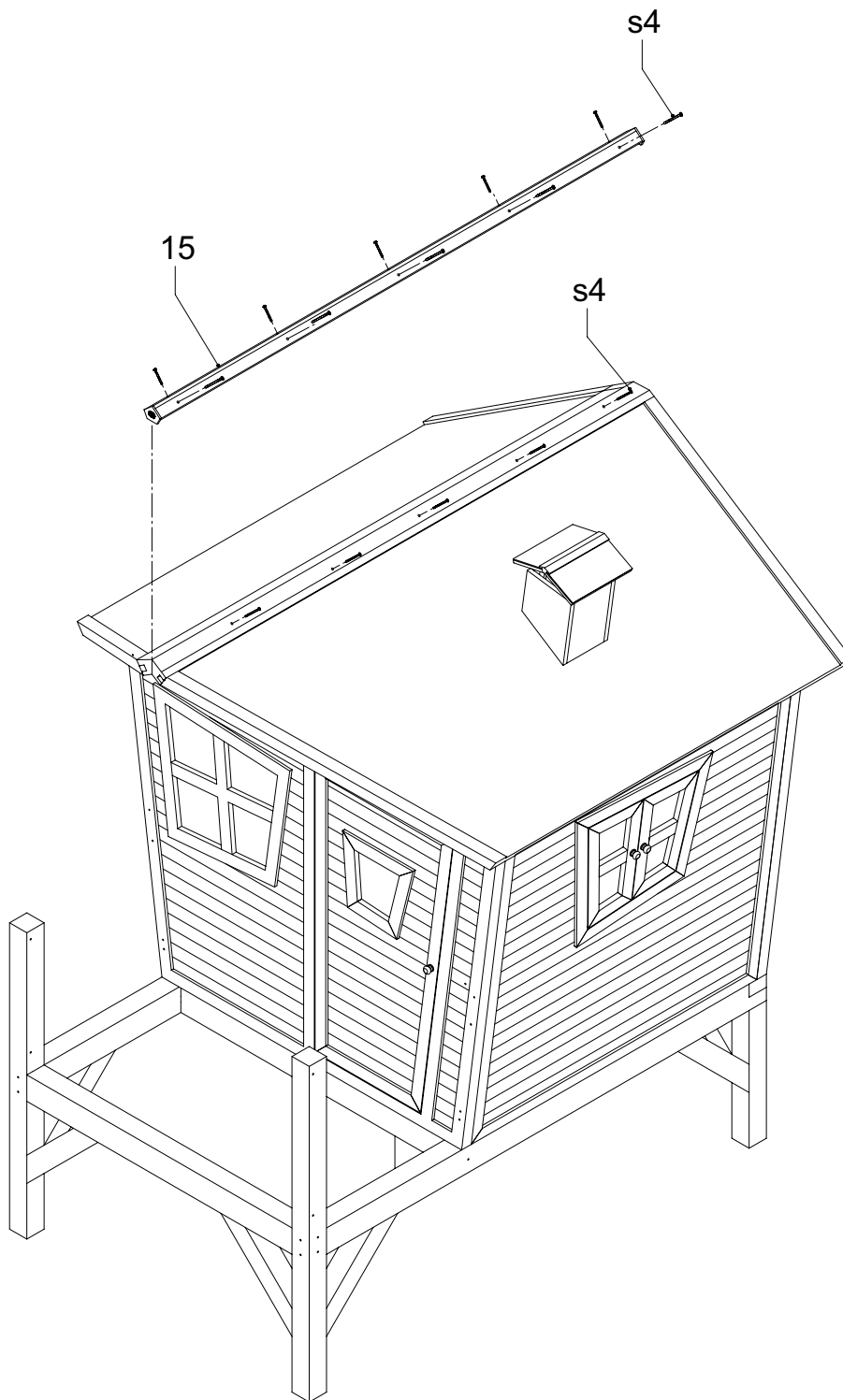


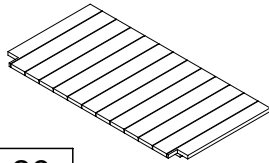
s4



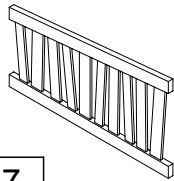
15x

A030.113.00

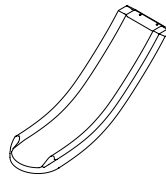




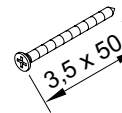
26



27

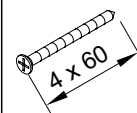


28



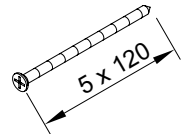
s1

6x



s2

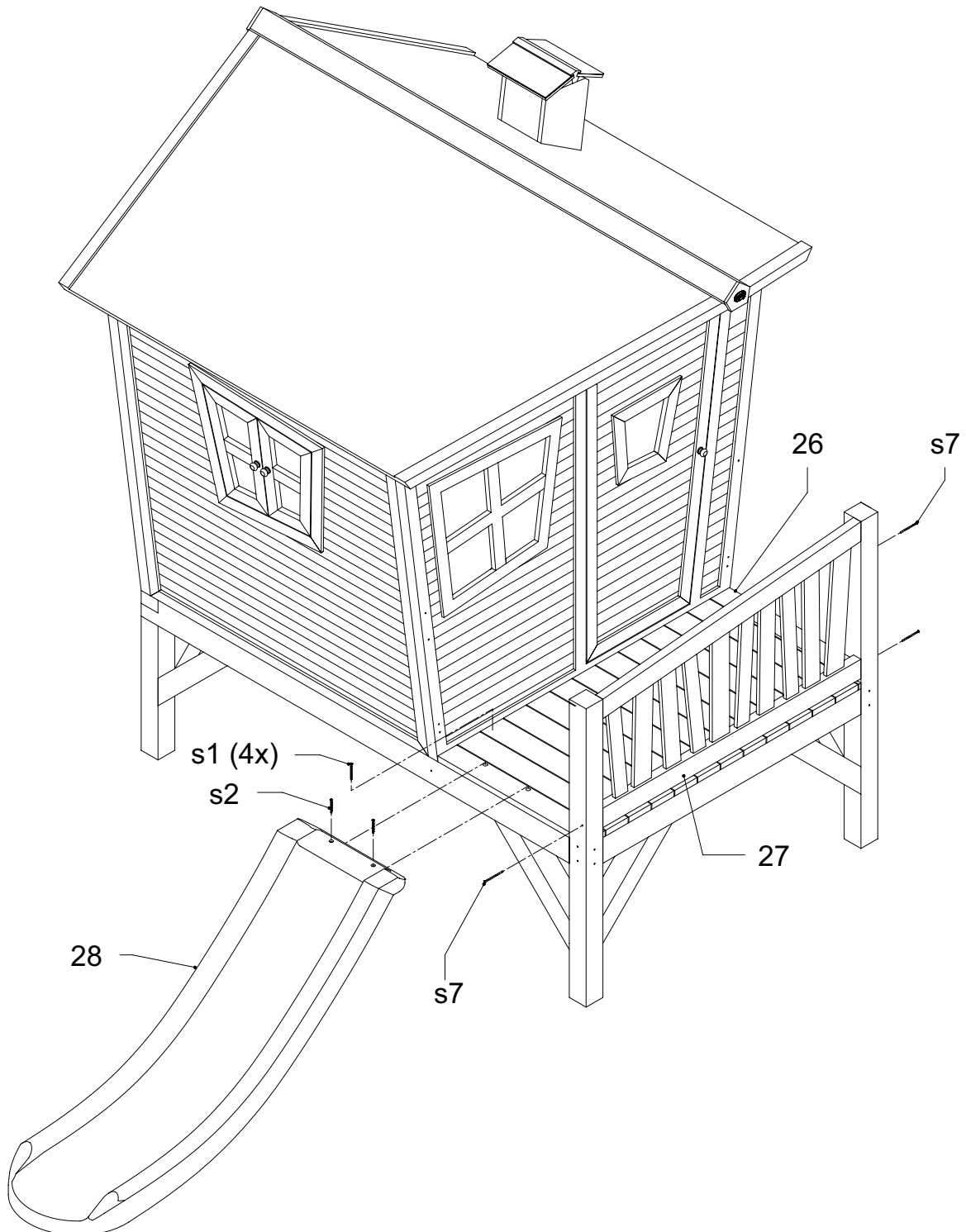
2x



s7

4x

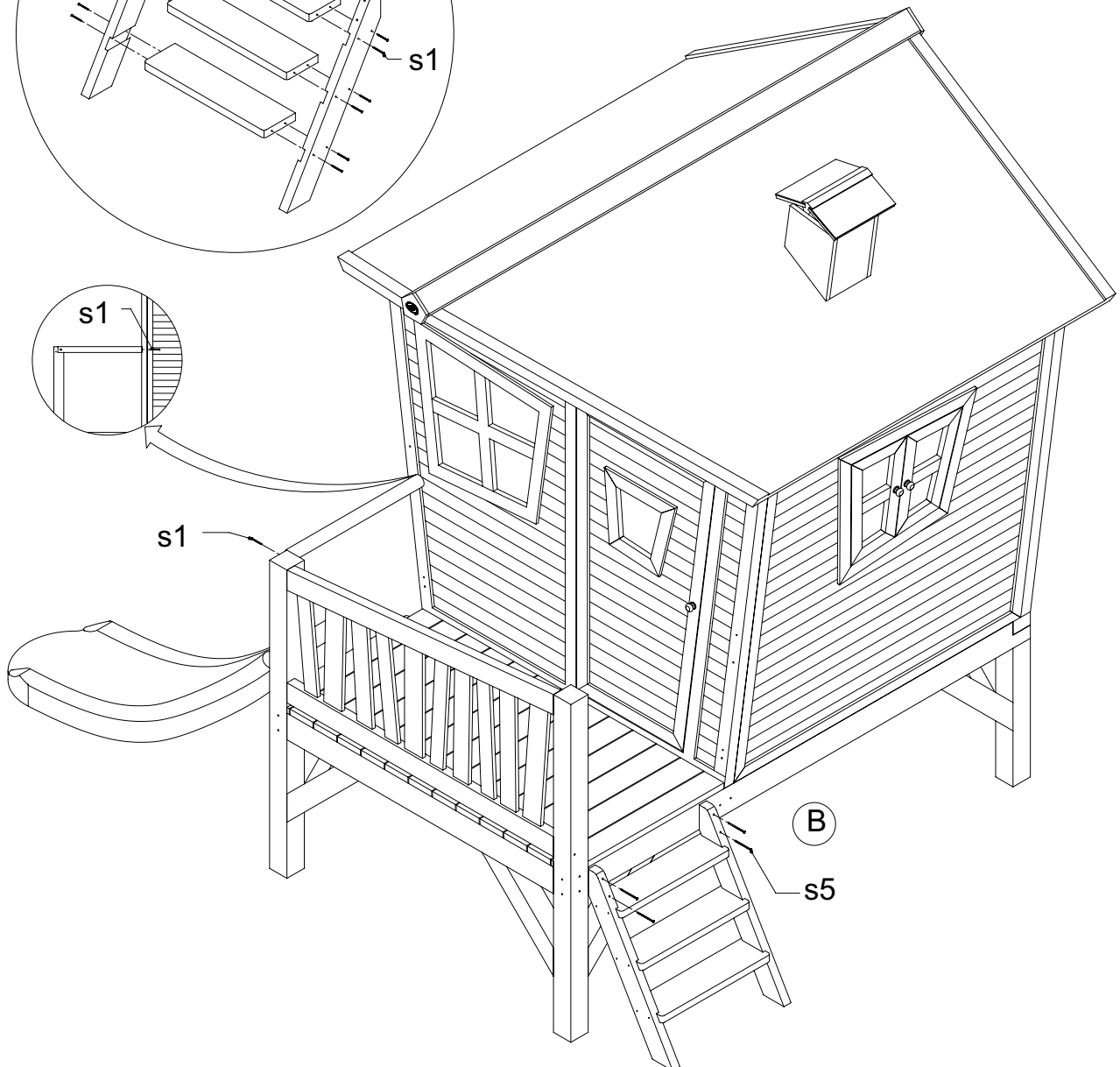
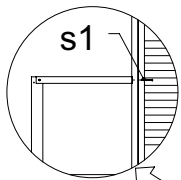
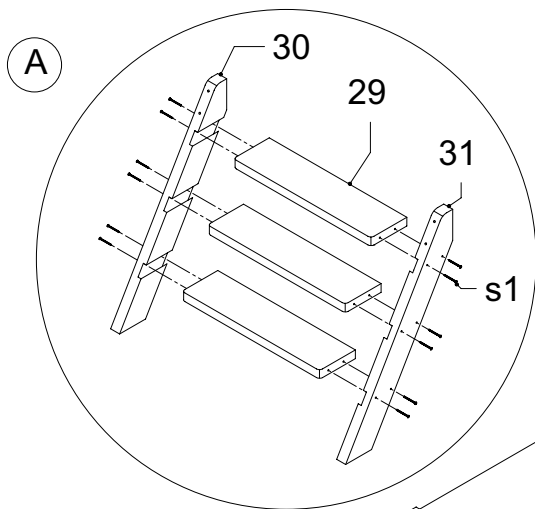
A030.031.00 + A030.116.00





29	3x	30	31	s1	14x	s5	4x

A030.115.00



B

s5